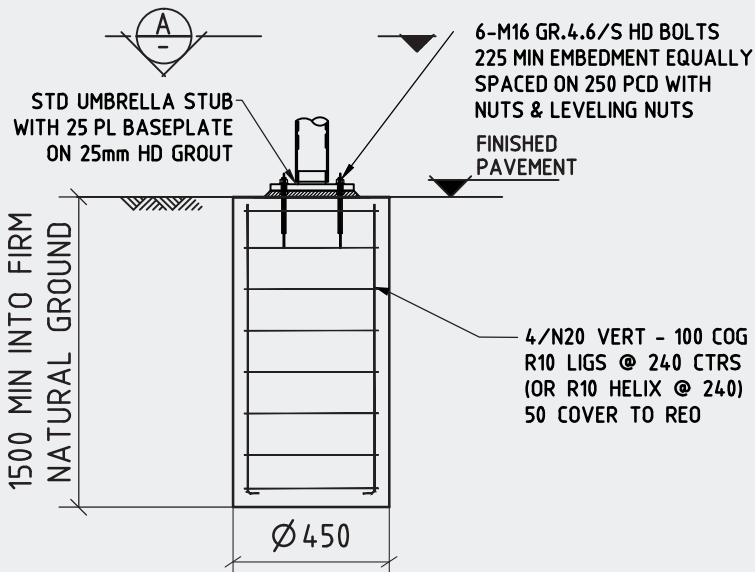
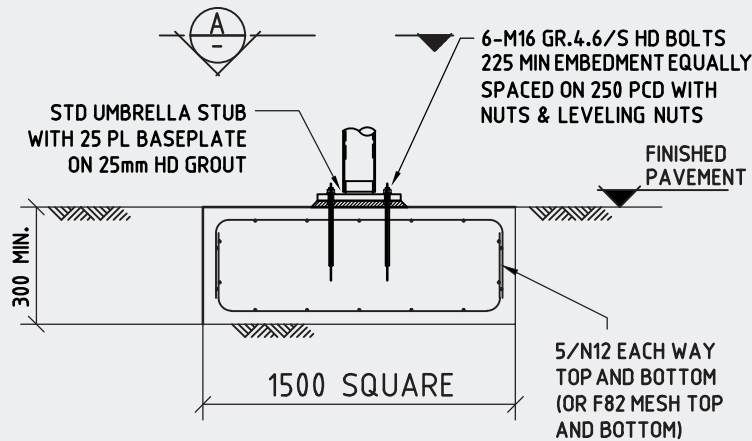


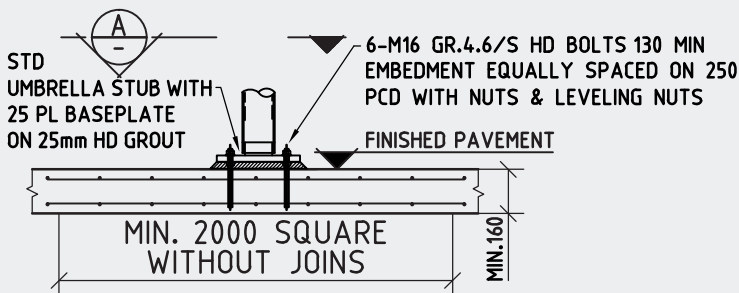
WIND RATED TO W33



FOOTING OPTION A - BORED PIER



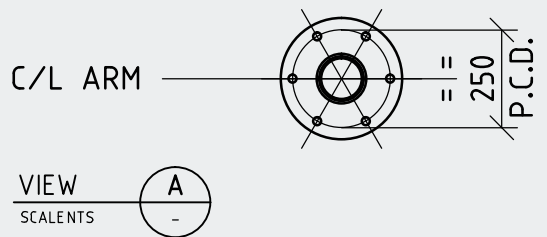
FOOTING OPTION B - PAD FOOTING



FOOTING OPTION C - EXISTING SLAB

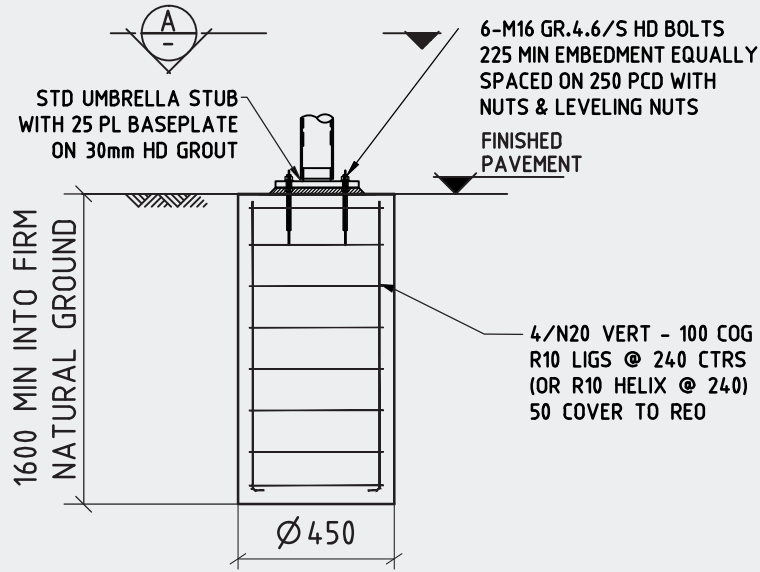
NOTES

- 1: THIS FOOTING DETAIL IS SUITABLE FOR FOUNDING IN NATURAL UNDISTURBED MATERIAL WITH A MINIMUM ALLOWABLE BEARING CAPACITY OF 100kPa.
- 2: IF FOOTING IS IN FILL MATERIAL PLEASE REFER TO SKYSPAN UMBRELLA FOR SITE SPECIFIC FOOTING DESIGN.
- 3: THIS FIXING DETAIL IS APPLICABLE FOR CANTILEVER UMBRELLAS.
- 4: ALL WORKMANSHIP AND MATERIALS TO BE IN ACCORDANCE WITH AS3600.
- 5: EXCAVATIONS TO BE CLEAN + FREE FROM LOOSE MATERIAL.
6. CONCRETE f'c = 25MPa.
7. MAXIMUM AGGREGATE SIZE TO BE 20mm.
8. CONCRETE SHOULD BE VIBRATED AFTER POURING, AND KEPT DAMP FOR AT LEAST 7 DAYS TO ASSIST CURING.

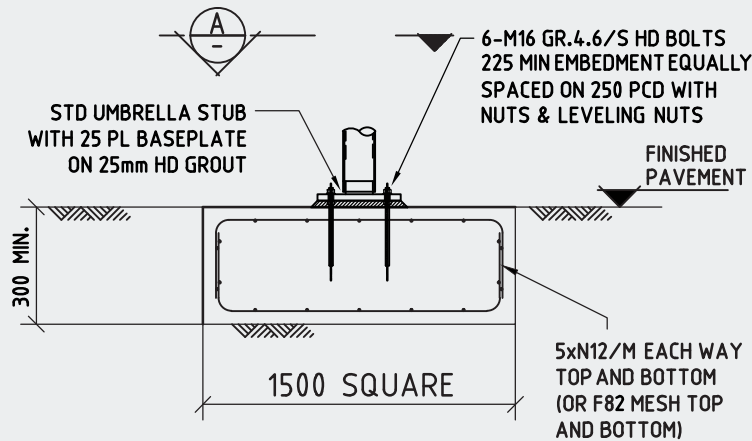


NOTE: DETAIL IS TO SUIT A FIXED BASE UMBRELLA ONLY.

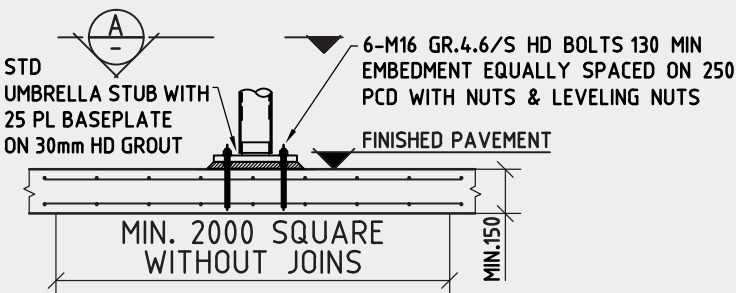
<p>Project Name 2.4m/3m SQUARE FIXED VISTA UMBRELLA</p>	<p>This document is copyright and remains the property of Skyspan Shade Pty. Ltd It must not be used or copied without the written consent of Skyspan Shade Pty. Ltd.</p>			
<p>Title GENERAL ARRANGEMENT WITH FOOTING DETAILS</p>	<p>Date: FEB 14</p>	<p>Drawn: EK</p>	<p>Checked: GM</p>	<p>Scale: @A4:NTS</p>
<p>Drawing No. V2430S-1001</p>		<p>Revision A</p>		



FOOTING OPTION A - BORED PIER



FOOTING OPTION B - PAD FOOTING



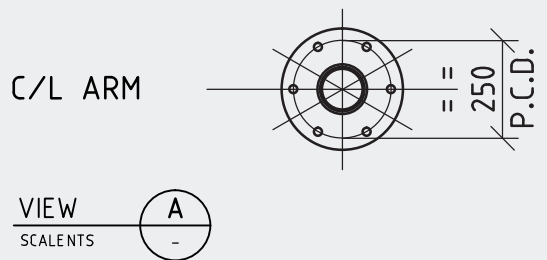
FOOTING OPTION C - EXISTING SLAB

WIND RATED TO W33

NOTES

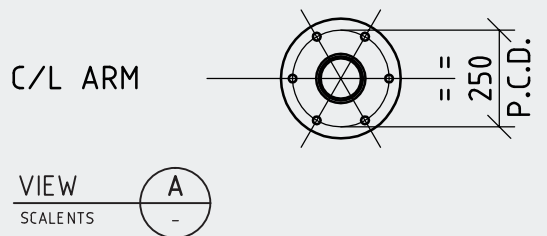
- 1: THIS FOOTING DETAIL IS SUITABLE FOR FOUNDING IN NATURAL UNDISTURBED MATERIAL WITH A MINIMUM ALLOWABLE BEARING CAPACITY OF 100kPa.
- 2: IF FOOTING IS IN FILL MATERIAL PLEASE REFER TO SKYSPAN UMBRELLA FOR SITE SPECIFIC FOOTING DESIGN.
- 3: THIS FIXING DETAIL IS APPLICABLE FOR CANTILEVER UMBRELLAS.
- 4: ALL WORKMANSHIP AND MATERIALS TO BE IN ACCORDANCE WITH AS3600.
- 5: EXCAVATIONS TO BE CLEAN + FREE FROM LOOSE MATERIAL.
6. CONCRETE f'c = 25MPa.
7. MAXIMUM AGGREGATE SIZE TO BE 20mm.
8. CONCRETE SHOULD BE VIBRATED AFTER POURING, AND KEPT DAMP FOR AT LEAST 7 DAYS TO ASSIST CURING.

DETAIL FOR FIXED BASE



NOTE: DETAIL TO SUIT FIXED BASE UMBRELLA ONLY. FOR PIVOT BASED UMBRELLA SEE THE BELOW DIAGRAM.

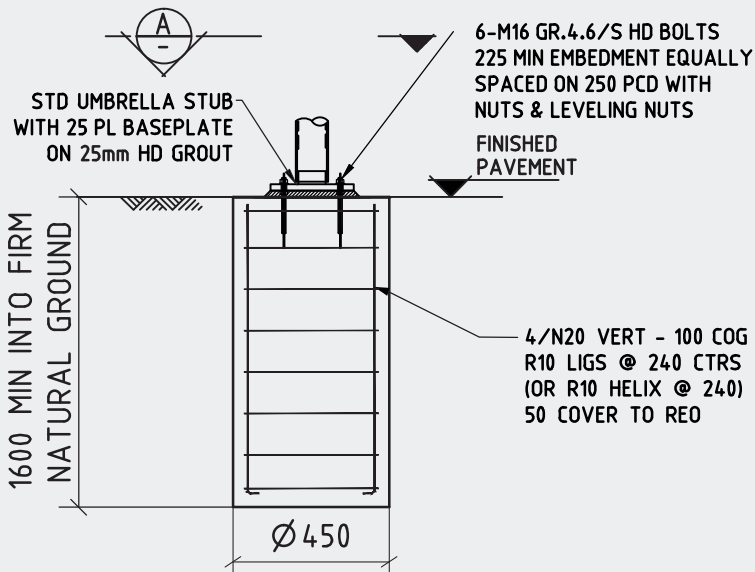
DETAIL FOR PIVOT BASE



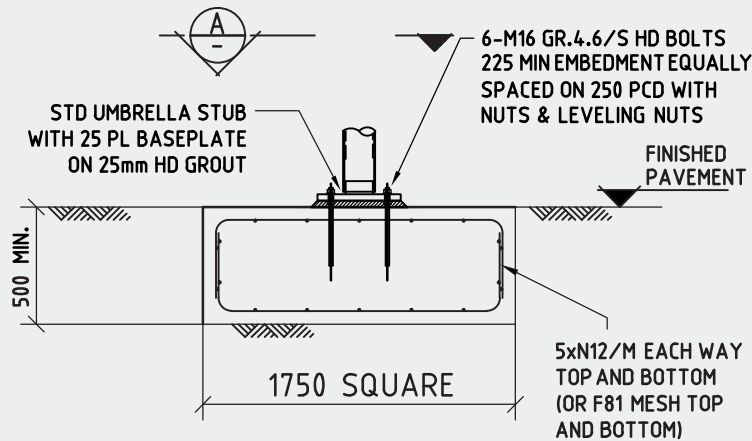
NOTE: ARM CAN BE PLACED IN ANY DIRECTION

<p>Project Name 3.5m SQUARE VISTA UMBRELLA</p>	<p>This document is copyright and remains the property of Skyspan Shade Pty. Ltd It must not be used or copied without the written consent of Skyspan Shade Pty. Ltd.</p>			
<p>Title GENERAL ARRANGEMENT WITH FOOTING DETAILS</p>	<p>Date: FEB 14</p>	<p>Drawn: EK</p>	<p>Checked: GM</p>	<p>Scale: @A4:NTS</p>
<p>Drawing No. V35S-1001</p>		<p>Revision A</p>		

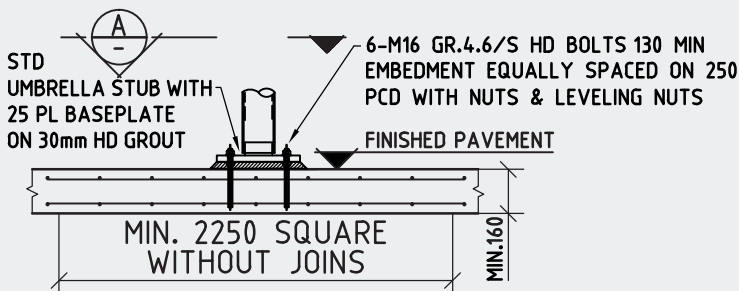
WIND RATED TO W33



FOOTING OPTION A - BORED PIER



FOOTING OPTION B - PAD FOOTING

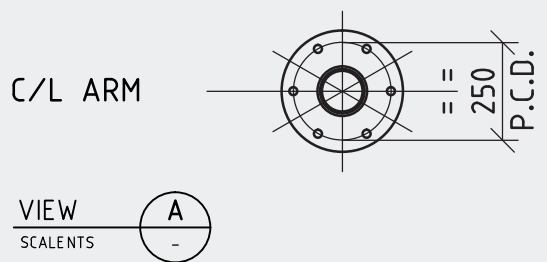


FOOTING OPTION C - EXISTING SLAB

NOTES

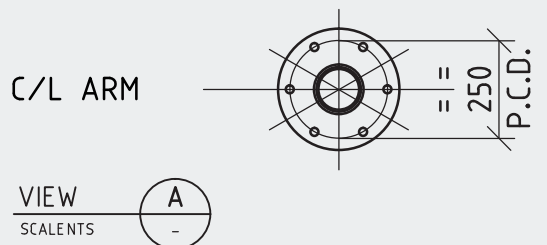
- 1: THIS FOOTING DETAIL IS SUITABLE FOR FOUNDING IN NATURAL UNDISTURBED MATERIAL WITH A MINIMUM ALLOWABLE BEARING CAPACITY OF 100kPa.
- 2: IF FOOTING IS IN FILL MATERIAL PLEASE REFER TO SKYSPAN UMBRELLA FOR SITE SPECIFIC FOOTING DESIGN.
- 3: THIS FIXING DETAIL IS APPLICABLE FOR CANTILEVER UMBRELLAS.
- 4: ALL WORKMANSHIP AND MATERIALS TO BE IN ACCORDANCE WITH AS3600.
- 5: EXCAVATIONS TO BE CLEAN + FREE FROM LOOSE MATERIAL.
6. CONCRETE $f'c = 25MPa$.
7. MAXIMUM AGGREGATE SIZE TO BE 20mm.
8. CONCRETE SHOULD BE VIBRATED AFTER POURING, AND KEPT DAMP FOR AT LEAST 7 DAYS TO ASSIST CURING.

DETAIL FOR FIXED BASE



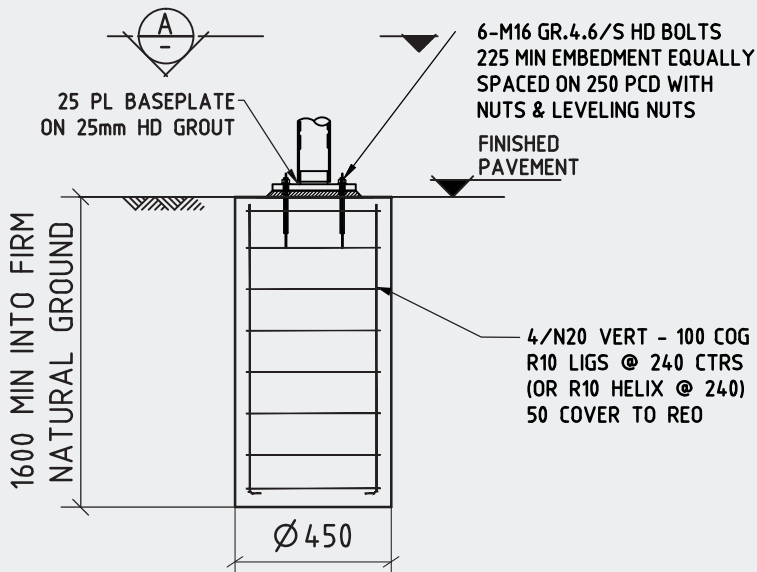
NOTE: DETAIL TO SUIT FIXED BASE UMBRELLA ONLY. FOR PIVOT BASED UMBRELLA SEE THE BELOW DIAGRAM.

DETAIL FOR PIVOT BASE

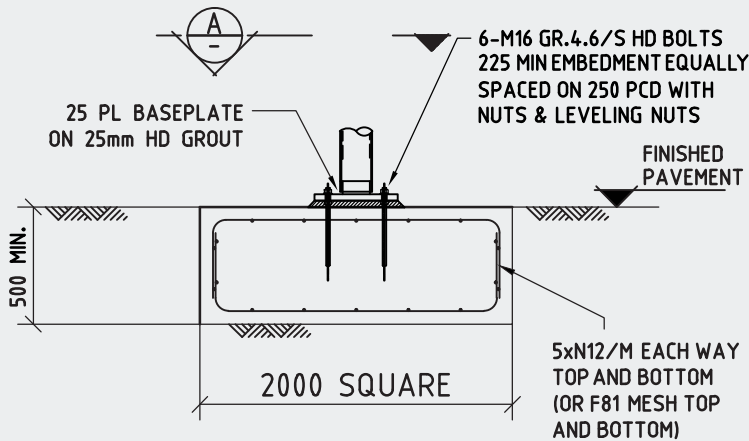


<p>Project Name 4.0m SQUARE VISTA UMBRELLA</p>	<p>This document is copyright and remains the property of Skyspan Shade Pty. Ltd It must not be used or copied without the written consent of Skyspan Shade Pty. Ltd.</p>			
<p>Title GENERAL ARRANGEMENT WITH FOOTING DETAILS</p>	<p>Date: FEB 14</p>	<p>Drawn: EK</p>	<p>Checked: GM</p>	<p>Scale: @A4:NTS</p>
<p>Drawing No. V40S-1001</p>		<p>Revision A</p>		

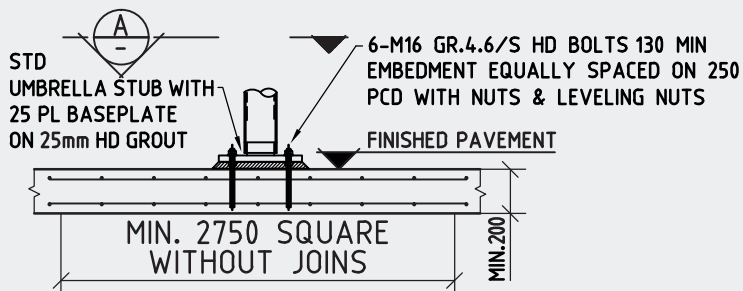
WIND RATED TO W33



FOOTING OPTION A - BORED PIER



FOOTING OPTION B - PAD FOOTING

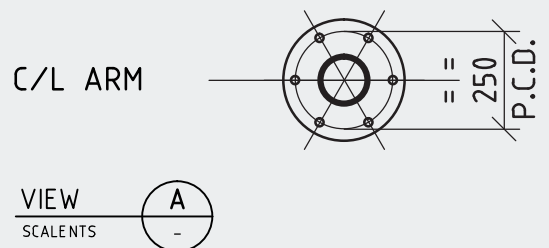


FOOTING OPTION C - EXISTING SLAB

NOTES

- 1: THIS FOOTING DETAIL IS SUITABLE FOR FOUNDING IN NATURAL UNDISTURBED MATERIAL WITH A MINIMUM ALLOWABLE BEARING CAPACITY OF 100kPa.
- 2: IF FOOTING IS IN FILL MATERIAL PLEASE REFER TO SKYSPAN UMBRELLA FOR SITE SPECIFIC FOOTING DESIGN.
- 3: THIS FIXING DETAIL IS APPLICABLE FOR CANTILEVER UMBRELLAS.
- 4: ALL WORKMANSHIP AND MATERIALS TO BE IN ACCORDANCE WITH AS3600.
- 5: EXCAVATIONS TO BE CLEAN + FREE FROM LOOSE MATERIAL.
6. CONCRETE $f'c = 25MPa$.
7. MAXIMUM AGGREGATE SIZE TO BE 20mm.
8. CONCRETE SHOULD BE VIBRATED AFTER POURING, AND KEPT DAMP FOR AT LEAST 7 DAYS TO ASSIST CURING.

DETAIL FOR FIXED BASE

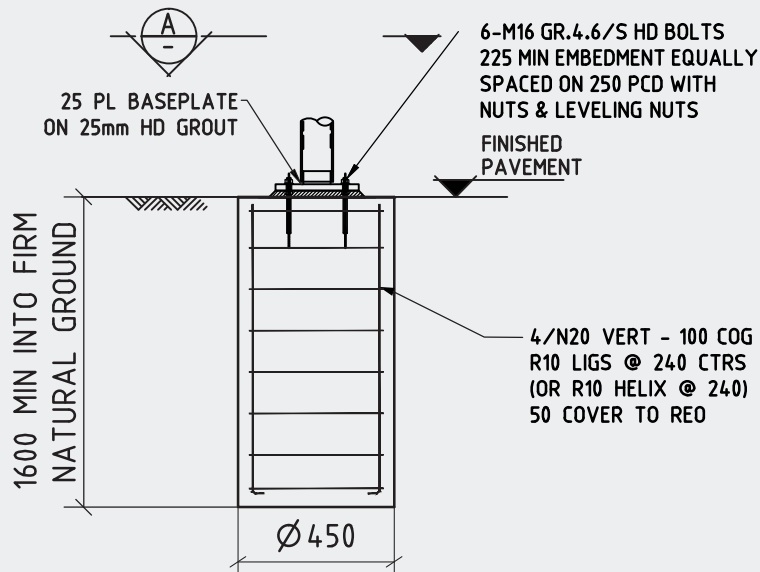


<p>Project Name 5.0m SQUARE VISTA FIXED BASE UMBRELLA</p>	<p>This document is copyright and remains the property of Skyspan Shade Pty. Ltd It must not be used or copied without the written consent of Skyspan Shade Pty. Ltd.</p>			
<p>Title GENERAL ARRANGEMENT WITH FOOTING DETAILS</p>	<p>Date: FEB 14</p>	<p>Drawn: EK</p>	<p>Checked: GM</p>	<p>Scale: @A4:NTS</p>
<p>Drawing No. V50S-1001</p>		<p>Revision A</p>		

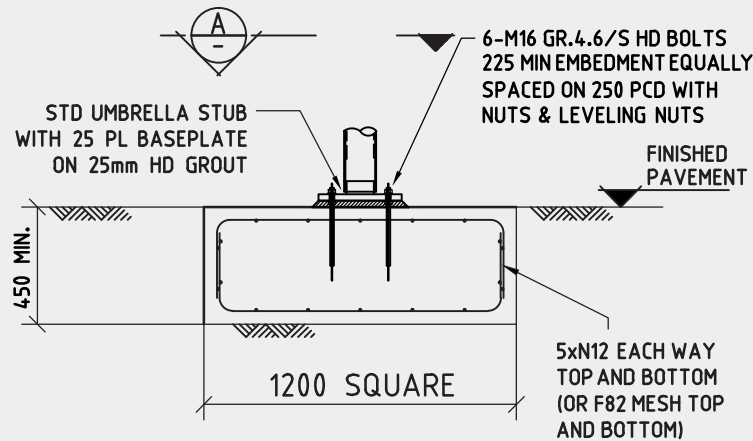


SKYSPANSHADE

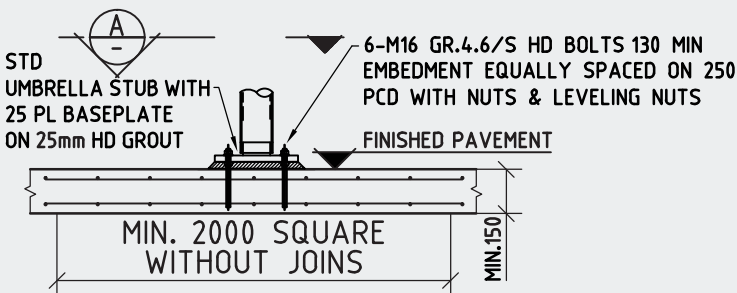
1/4 Old Pacific Hwy, Yatala,
 Queensland 4207, Australia
 Tel : +61 (0) 7 3804 6288
 Fax: +61 (0) 7 3287 3999
 Email: info@skyspanshade.com.au
 www.skyspanshade.com.au



FOOTING OPTION A - BORED PIER



FOOTING OPTION B - PAD FOOTING



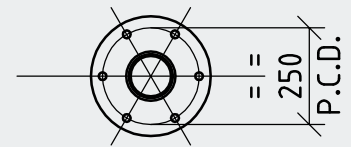
FOOTING OPTION C - EXISTING SLAB

WIND RATED TO W33

NOTES

- 1: THIS FOOTING DETAIL IS SUITABLE FOR FOUNDING IN NATURAL UNDISTURBED MATERIAL WITH A MINIMUM ALLOWABLE BEARING CAPACITY OF 100kPa.
- 2: IF FOOTING IS IN FILL MATERIAL PLEASE REFER TO SKYSPAN UMBRELLA FOR SITE SPECIFIC FOOTING DESIGN.
- 3: THIS FIXING DETAIL IS APPLICABLE FOR CANTILEVER UMBRELLAS.
- 4: ALL WORKMANSHIP AND MATERIALS TO BE IN ACCORDANCE WITH AS3600.
- 5: EXCAVATIONS TO BE CLEAN + FREE FROM LOOSE MATERIAL.
6. CONCRETE f'c = 25MPa.
7. MAXIMUM AGGREGATE SIZE TO BE 20mm.
8. CONCRETE SHOULD BE VIBRATED AFTER POURING, AND KEPT DAMP FOR AT LEAST 7 DAYS TO ASSIST CURING.

C/L ARM



VIEW



SCALENTS

NOTE: ARM CAN BE PLACED IN ANY DIRECTION

Project Name 5.0m SQUARE VISTA PIVOT BASE UMBRELLA	This document is copyright and remains the property of Skyspan Shade Pty. Ltd It must not be used or copied without the written consent of Skyspan Shade Pty. Ltd.		
	Date: FEB 14	Drawn: EK	Checked: GM
Title GENERAL ARRANGEMENT WITH FOOTING DETAILS	Drawing No. V50SP-1001		Revision A