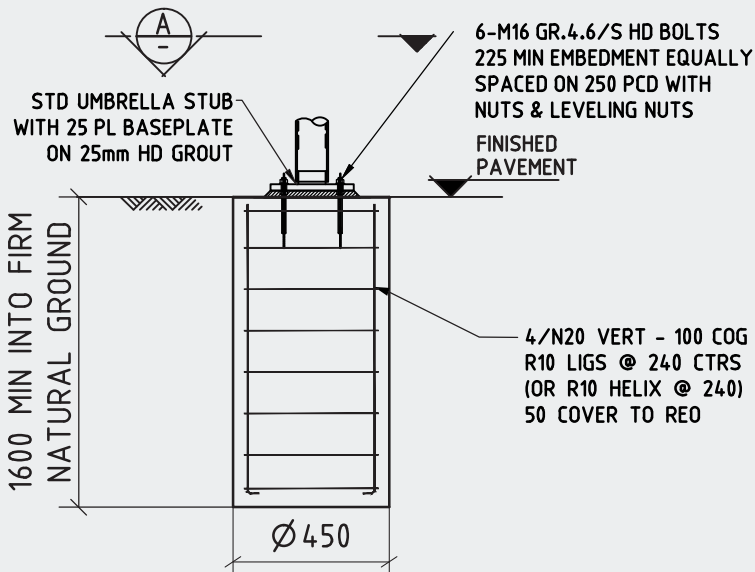
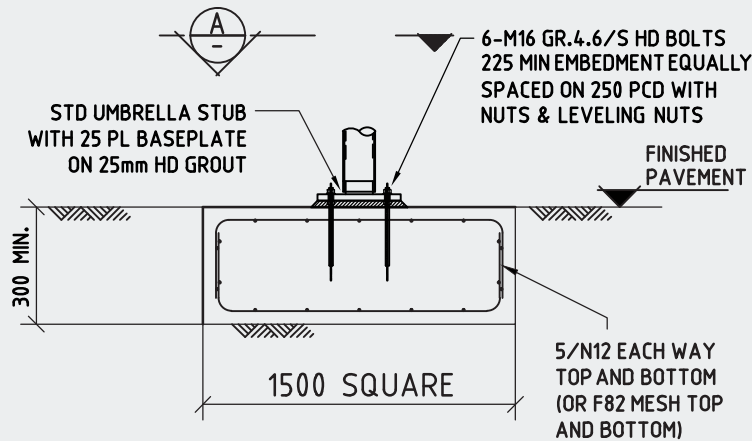


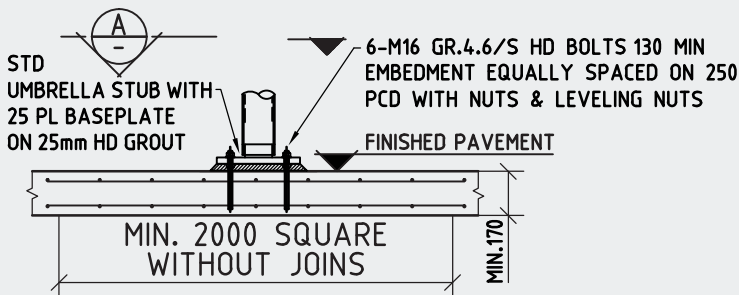
WIND RATED TO W33



**FOOTING OPTION A - BORED PIER**



**FOOTING OPTION B - PAD FOOTING**

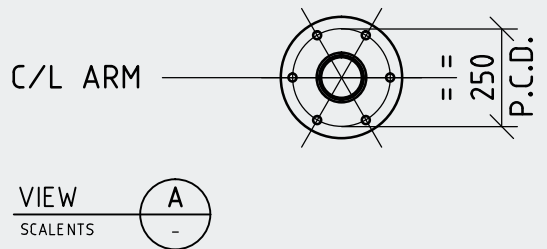


**FOOTING OPTION C - EXISTING SLAB**

**NOTES**

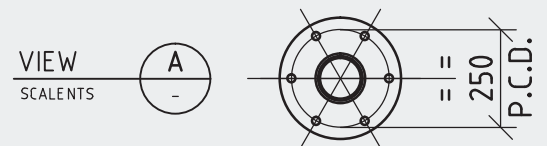
- 1: THIS FOOTING DETAIL IS SUITABLE FOR FOUNDING IN NATURAL UNDISTURBED MATERIAL WITH A MINIMUM ALLOWABLE BEARING CAPACITY OF 100kPa.
- 2: IF FOOTING IS IN FILL MATERIAL PLEASE REFER TO SKYSPAN UMBRELLA FOR SITE SPECIFIC FOOTING DESIGN.
- 3: THIS FIXING DETAIL IS APPLICABLE FOR CANTILEVER UMBRELLAS.
- 4: ALL WORKMANSHIP AND MATERIALS TO BE IN ACCORDANCE WITH AS3600.
- 5: EXCAVATIONS TO BE CLEAN + FREE FROM LOOSE MATERIAL.
6. CONCRETE  $f'c = 25MPa$ .
7. MAXIMUM AGGREGATE SIZE TO BE 20mm.
8. CONCRETE SHOULD BE VIBRATED AFTER POURING, AND KEPT DAMP FOR AT LEAST 7 DAYS TO ASSIST CURING.

**DETAIL FOR FIXED BASE**



NOTE: DETAIL TO SUIT FIXED BASE UMBRELLA ONLY. FOR PIVOT BASED UMBRELLA SEE THE BELOW DIAGRAM.

**DETAIL FOR PIVOT BASE**



<p><b>Project Name</b>          4x3m RECTANGULAR VISTA UMBRELLA</p>	<p>This document is copyright and remains the property of Skyspan Shade Pty. Ltd It must not be used or copied without the written consent of Skyspan Shade Pty. Ltd.</p>			
<p><b>Title</b>          GENERAL ARRANGEMENT WITH FOOTING DETAILS</p>	<p><b>Date:</b> FEB 14</p>	<p><b>Drawn:</b> EK</p>	<p><b>Checked:</b> GM</p>	<p><b>Scale:</b> @A4: NTS</p>
<p><b>Drawing No.</b>          V43R-1001</p>		<p><b>Revision</b>          A</p>		