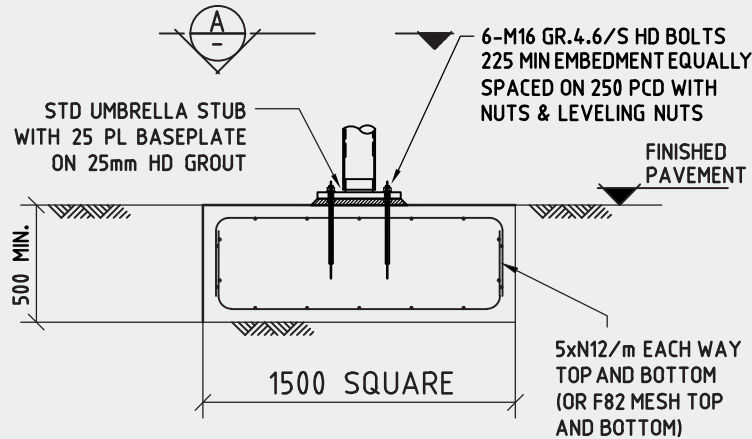
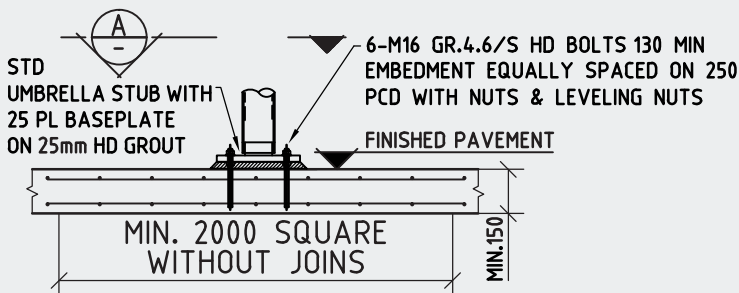


FOOTING OPTION A - BORED PIER



FOOTING OPTION B - PAD FOOTING



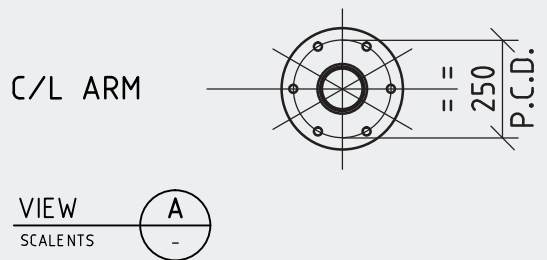
FOOTING OPTION C - EXISTING SLAB

WIND RATED TO W33

NOTES

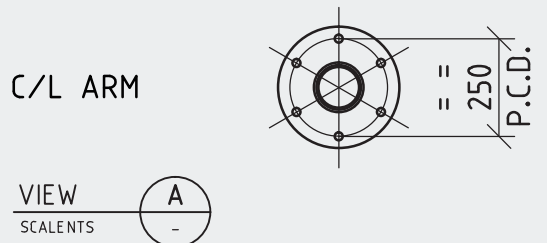
- 1: THIS FOOTING DETAIL IS SUITABLE FOR FOUNDING IN NATURAL UNDISTURBED MATERIAL WITH A MINIMUM ALLOWABLE BEARING CAPACITY OF 100kPa.
- 2: IF FOOTING IS IN FILL MATERIAL PLEASE REFER TO SKYSPAN UMBRELLA FOR SITE SPECIFIC FOOTING DESIGN.
- 3: THIS FIXING DETAIL IS APPLICABLE FOR CANTILEVER UMBRELLAS.
- 4: ALL WORKMANSHIP AND MATERIALS TO BE IN ACCORDANCE WITH AS3600.
- 5: EXCAVATIONS TO BE CLEAN + FREE FROM LOOSE MATERIAL.
6. CONCRETE $f'c = 25MPa$.
7. MAXIMUM AGGREGATE SIZE TO BE 20mm.
8. CONCRETE SHOULD BE VIBRATED AFTER POURING, AND KEPT DAMP FOR AT LEAST 7 DAYS TO ASSIST CURING.

DETAIL FOR FIXED BASE



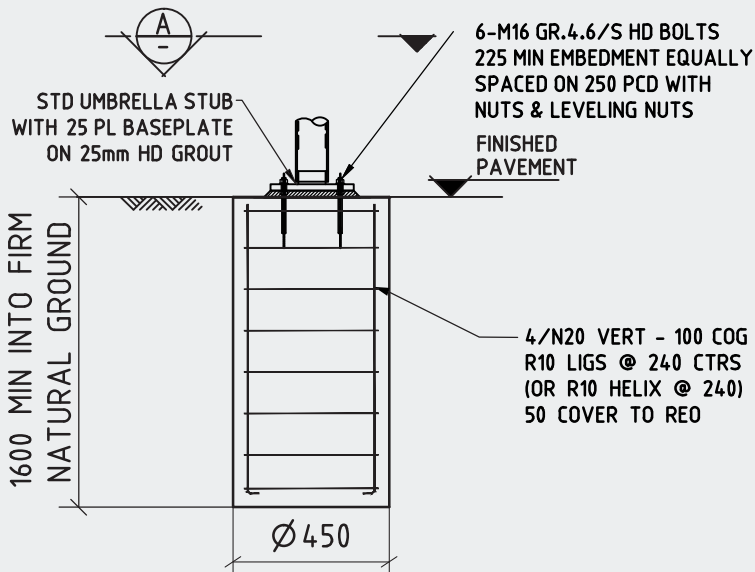
NOTE: DETAIL TO SUIT FIXED BASE UMBRELLA ONLY. FOR PIVOT BASED UMBRELLA SEE THE BELOW DIAGRAM.

DETAIL FOR PIVOT BASE

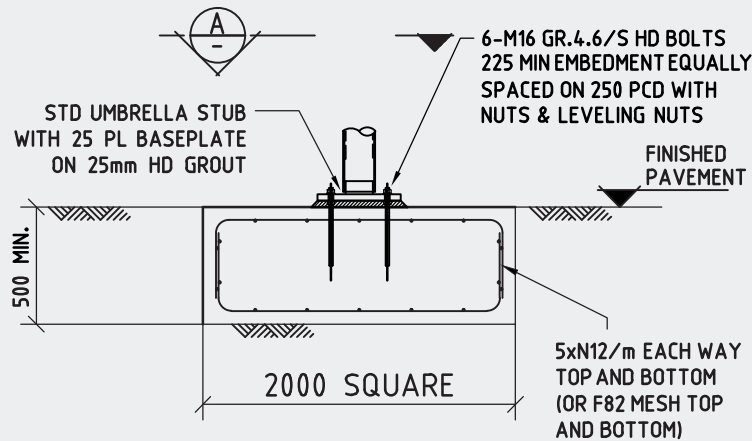


Project Name 4.4m HEX VISTA UMBRELLA	This document is copyright and remains the property of Skyspan Shade Pty. Ltd It must not be used or copied without the written consent of Skyspan Shade Pty. Ltd.		
	Date: FEB 14	Drawn: EK	Checked: GM
Title GENERAL ARRANGEMENT WITH FOOTING DETAILS	Drawing No. V44H-1001		Revision A

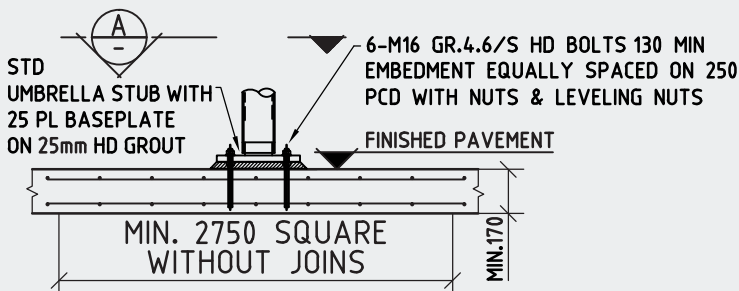
WIND RATED TO W33



FOOTING OPTION A - BORED PIER



FOOTING OPTION B - PAD FOOTING

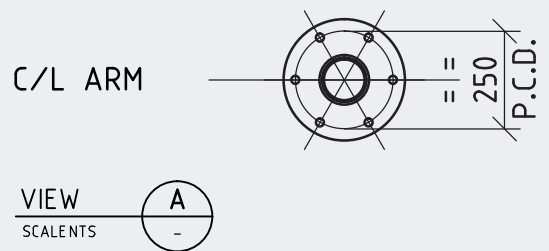


FOOTING OPTION C - EXISTING SLAB

NOTES

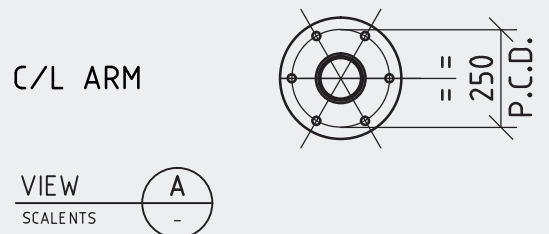
- 1: THIS FOOTING DETAIL IS SUITABLE FOR FOUNDING IN NATURAL UNDISTURBED MATERIAL WITH A MINIMUM ALLOWABLE BEARING CAPACITY OF 100kPa.
- 2: IF FOOTING IS IN FILL MATERIAL PLEASE REFER TO SKYSPAN UMBRELLA FOR SITE SPECIFIC FOOTING DESIGN.
- 3: THIS FIXING DETAIL IS APPLICABLE FOR CANTILEVER UMBRELLAS.
- 4: ALL WORKMANSHIP AND MATERIALS TO BE IN ACCORDANCE WITH AS3600.
- 5: EXCAVATIONS TO BE CLEAN + FREE FROM LOOSE MATERIAL.
6. CONCRETE f'c = 25MPa.
7. MAXIMUM AGGREGATE SIZE TO BE 20mm.
8. CONCRETE SHOULD BE VIBRATED AFTER POURING, AND KEPT DAMP FOR AT LEAST 7 DAYS TO ASSIST CURING.

DETAIL FOR FIXED BASE



NOTE: DETAIL TO SUIT FIXED BASE UMBRELLA ONLY. FOR PIVOT BASED UMBRELLA SEE THE BELOW DIAGRAM.

DETAIL FOR PIVOT BASE



NOTE: ARM CAN BE PLACED IN ANY DIRECTION

Project Name 5.0m/5.6m HEX VISTA UMBRELLA	This document is copyright and remains the property of Skyspan Shade Pty. Ltd It must not be used or copied without the written consent of Skyspan Shade Pty. Ltd.		
	Date: FEB 14	Drawn: EK	Checked: GM
Title GENERAL ARRANGEMENT WITH FOOTING DETAILS	Drawing No. V5056H-1001		Revision A