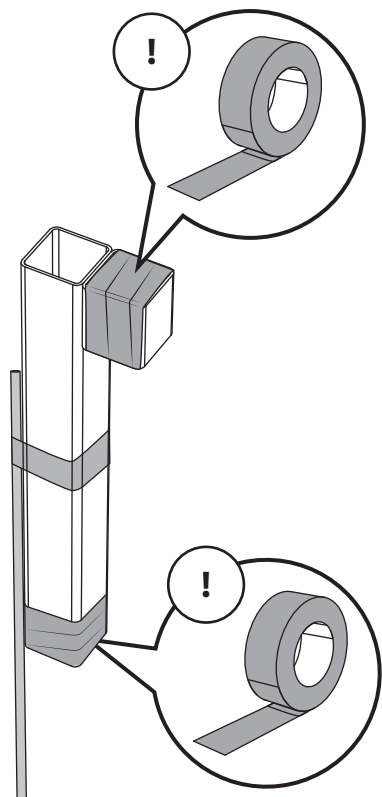


**PARAFLEX** CLASSIC / EVOLUTION / MONO POLE / MULTI POLE

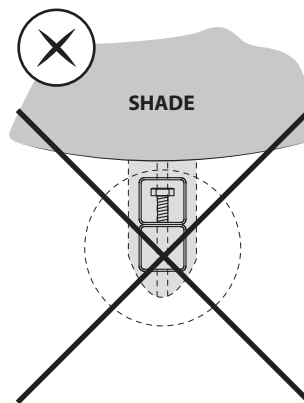
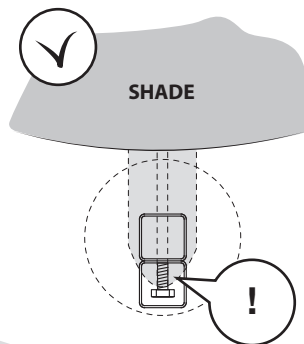
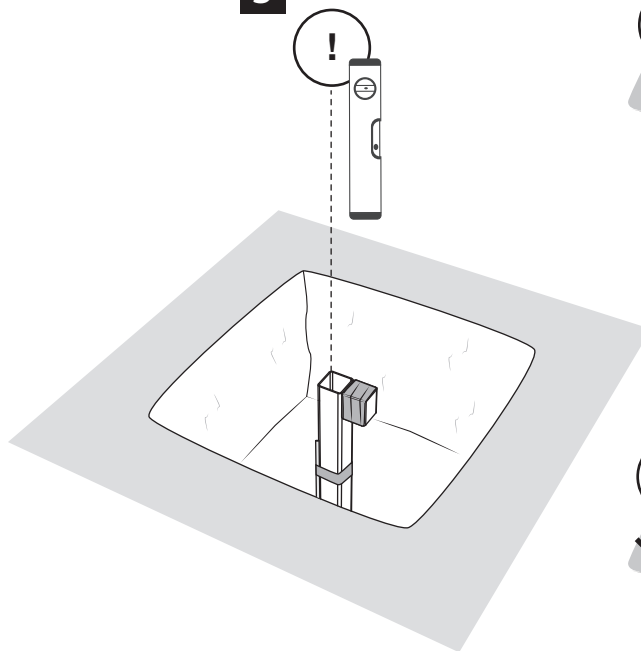
## CONCRETE ANCHOR INSTALLATION



2



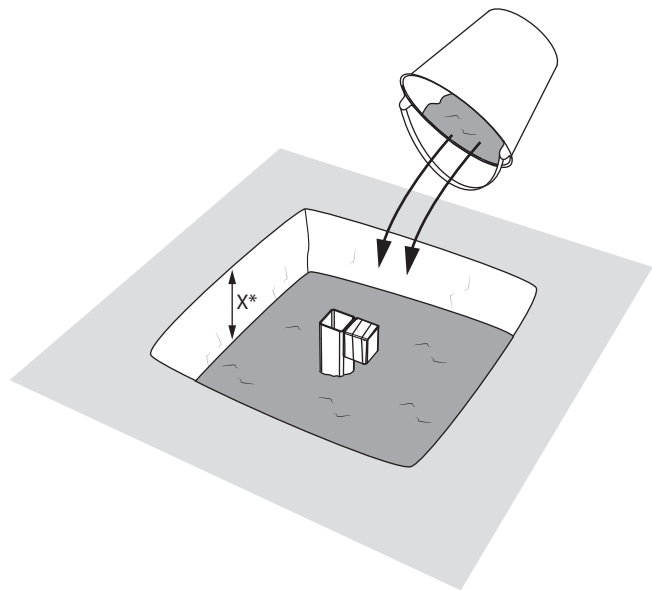
3



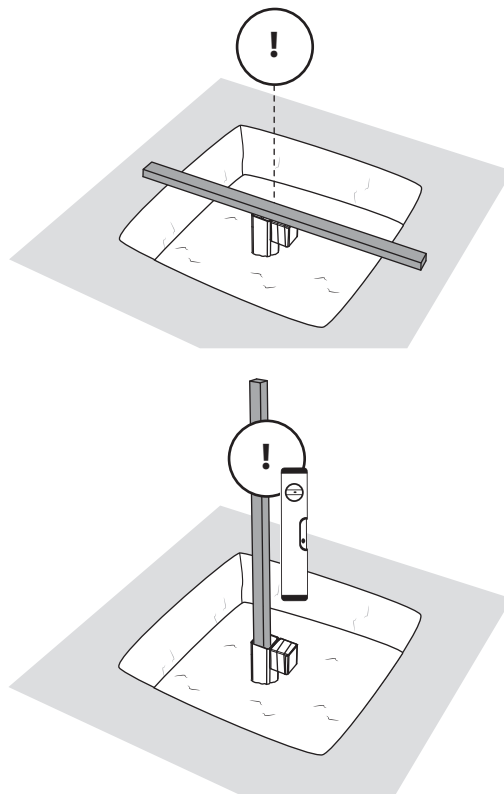
# CONCRETE ANCHOR INSTALLATION



4



5



	GRASS	GRAVEL	H TILES
X*	10 cm	4 cm	= H