



OWNER MANUAL

NOVA HD UMBRELLA

www.instantshadeumbrellas.com.au



INSTANT SHADE
UMBRELLAS

NOVA HD HEAVY-DUTY COMMERCIAL UMBRELLA

Congratulations on purchasing your Nova HD umbrella.

The Nova HD is manufactured using the best materials and fabrics and is designed to give you many years of trouble free use and enjoyment. The following information is to inform you on how to operate your Nova HD umbrella correctly. Please follow these instructions as they are designed to assist operation and prolong the life of the umbrella.



INSTALLATION INSTRUCTIONS

Your Nova HD umbrella comes fully assembled in the box. Before you can erect and set up your Nova HD umbrella you will need to install the required base fitting which is either a base plate or inground fitting. Prior to fixing the base plate or inground fitting please read the following important information.

Alignment of the base fitting to face the umbrella in the correct direction

There are 4 x threaded holes in the centre area of the 400mm diameter base plate and on the top of the inground fitting sleeve plate and these are called the threaded spigot holes.

Before installing your base plate or inground fitting, draw an imaginary straight line through two sets of threaded spigot holes. This will be the direction of one of the flat sides of your umbrella. Use these imaginary lines to square off your base fitting installation. This is of particular relevance when installing square shape umbrellas and not as important with an octagonal umbrella.



Once you have erected the umbrella if you find it is still not completely squared off to your area, you can always turn the umbrella 90° degrees on the spigot and re-drill a new spigot hole through the steel spigot inside the umbrella (a good quality 12mm drill bit and high powered drill will be required).

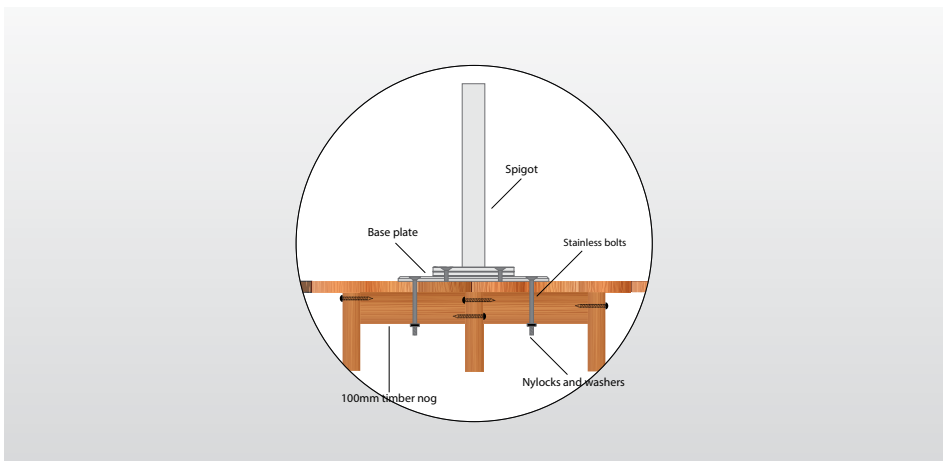
BASE PLATE INSTALLATION

There are 2 ways to install your base plate depending what you are fixing to. Select which is applicable for your situation.

1 Fixing the base plate to a timber deck:

If you wish to install your Nova HD umbrella onto a timber deck then the following installation method should be adhered to. **Your base plate must be bolted to the frame of the deck and not only to the deck planking.** You need to fasten 2 or 3 "nogs" or "braces" between the deck joists or bearers that form the structural frame of the deck. The nogs need to cover the area under the base plate. They must be secured hard up under the deck planking and between the deck bearers and fastened to the deck frame with fasteners. The fasteners may be large galvanised nails, Z nails, builders brackets or similar. The base plate should now be set in the required position and bolted through the deck planking and the fixed braces by using at least 12mm countersunk 150mm stainless steel bolts and nylocks with a large washer on the underside.

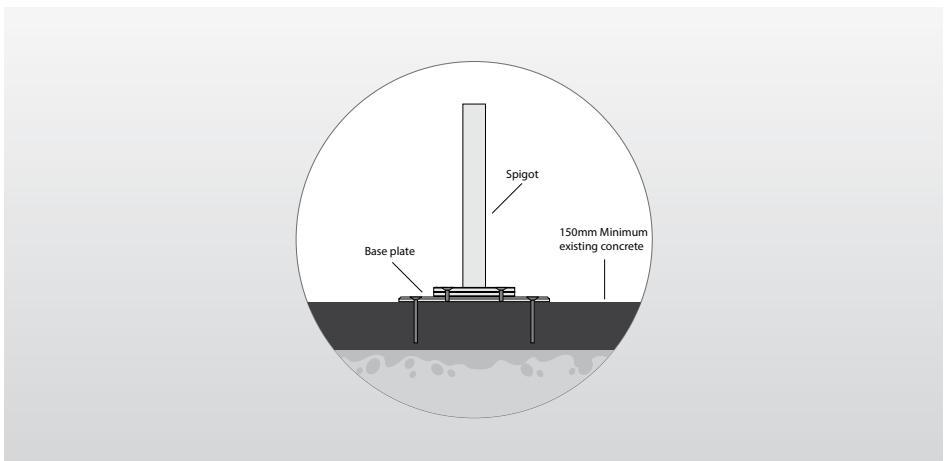
It is recommended to seek the advice of a builder or engineer especially when installing larger 4m or 5m size Nova HD umbrellas onto a deck or when the umbrella will be in a high wind zone.



2 Fixing the base plate to a concrete slab:

When installing your umbrellas on a concrete surface fix the base plate to the concrete using 6 galvanised or stainless concrete screw fixings. The concrete slab should be at least 150mm thick. The fixings used should be at least 75mm long (100mm recommended) and 10mm in diameter.

Important: *Prior to fixing the base plate to the deck or concrete slab please ensure you have read the paragraph section "Alignment of the base fitting..." On page 3.*



INGROUND INSTALLATION

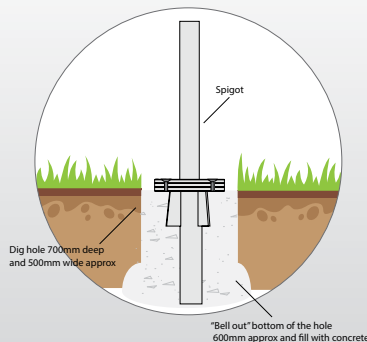
Fixing into lawn, soil or patio:

When installation is required in soil or lawn etc. then an inground fitting must be used. This is a galvanised steel fitting which must be concreted into position. Terrain differs from thick clay to sand or fine soil so a different sized hole must be prepared and a different volume of concrete used to suit. As a guide only a hole 500mm x 500mm x 700mm deep is a minimum requirement for heavy clay soil terrain. Even then a post hole borer can be used to deepen the centre of the footing. When pouring the concrete it is advisable to drop a few lengths of reinforcing steel bar into the hole to prevent the concrete from cracking. Remember that depth of hole is better than width and it is much easier to make the hole over-size than to try to re-stabilise the inground fitting should it start to move over time. Pavers may need to be removed to facilitate this inground fitting and then cut to suit when replaced.

When setting the inground fitting in the concrete you must ensure the fitting is 100% level. Allow adequate time for the concrete to cure before installing the umbrella. This depends on the cure time of the concrete but is normally about 7 days.

Important: *Prior to install the inground please ensure you have read the paragraph section "Alignment of the base fitting..." On page 3.*

Tip: To ensure that concrete does not come up the threaded spigot holes in the inground fitting it is advisable to put the supplied spigot bolts into the required threaded spigot holes (if they do not already have a threaded guard in the hole). It's also recommended to apply some tape over the underside of the holes as a precaution.



SETTING UP YOUR NOVA HD UMBRELLA

Once you have fixed the base fitting correctly you can erect the umbrella by following the below instructions.

To erect the Nova HD Umbrella:

1. Attach the hinged spigot to the base plate or inground fitting with the one smaller stainless steel spigot bolt supplied with your umbrella.
2. Use the hinge to lie the spigot horizontally. Using several people to assist, hold the umbrella almost horizontal and then slide the umbrella over the internal spigot.
3. Secure the umbrella to the spigot by inserting the supplied locking bolt through the hole in the mast and spigot, and then tighten up the nut.
4. Lift the umbrella up into a vertical position using the hinge. Secure the hinged spigot to the base plate using the four supplied stainless steel spigot bolts and allen key.



Note: Installation is recommended as a three person operation.

Opening the umbrella for the first time:

When the umbrella is being opened for the first time, ensure the strap and all packaging and wrapping material has been removed. There may be some wrapping material on the canopy arms underneath the fabric canopy - partially open the umbrella and get in underneath the fabric canopy to remove all this wrapping before fully opening the umbrella.

Important: The umbrella support arms are fitted with **PLASTIC SLIDING SPACERS**. The spacers help to keep the arms spread apart when the umbrella is closed. This will make it easier to open next time it is used and to prevent the arms getting "stuck" down when trying to open the umbrella. When the umbrella is packaged for shipping the spacers are not engaged and are located at the lower end of the support arms. **Before using the umbrella for the first time you must engage the spacers into the pre-drilled locking holes by sliding each spacer into position up the umbrella arms. A barrell bolt is supplied to secure each spacer in place.**

OPERATING YOUR NOVA HD UMBRELLA

To open the Nova HD umbrella:

- If opening the umbrella for the first time please refer to the section called **“opening the umbrella for the first time”**.
- Remove the strap from the canopy.
- Insert the winder handle into the winder hole on the mast and rotate in a clockwise direction.
- Continue winding until the canopy is fully open and taut. Never over wind or force the winder beyond a moderate amount of pressure. **Note:** the winder handle will become a little harder to wind as the umbrella nears fully open. This is normal particularly when the acrylic canvas or PVC canopy is new.
- The winder handle may be removed if desired as a safety and security feature.

To close the Nova HD umbrella:

- Insert the winder handle and rotate in an anti-clockwise direction.
- Pull the canopy out from within the arms to safeguard against “pinching” of the canvas within the umbrella frame. This is done by pulling the canvas to the outside of the frame using your hand to pull the excess in each of the 8 sections of frame. Then fold it left over right etc. Refer to Page 12 .
- Put the canopy strap securely around both the mast and canopy frame.
- If you purchased a protective cover bag (optional) then fit over the mast and frame and zip up.

CARE AND MAINTENANCE

You will get maximum benefit from your umbrella when you use it in accordance with our instructions and in the weather conditions for which it was designed.

General Information:

- Do not leave the umbrella open when unattended, particularly in windy conditions.
- The umbrella should be closed and securely strapped in strong winds and adverse weather conditions.
- Always secure your umbrella to an appropriate footing/ base.
- Any modifications to your umbrella, except those made by an authorised **Instant Shade** agent, may invalidate the warranty.
- Make sure the umbrella is dry and clean prior to storing away for extended periods of time to prevent mould from developing.

- Be careful when closing the umbrella to ensure that the canopy does not get caught or “pinched” by the umbrella arms. This is particularly important before storing the umbrella away for extended periods of time or if the umbrella is to be laid horizontally for storage. Damage to the fabric caused by “pinching” is not covered by warranty.

Maintenance instructions for your Nova HD:

- In coastal or metropolitan environments it is beneficial to wash of any dirt, pollen and salt residue from the umbrella frame and fabric using a hose or soft bristle brush.
- Periodic spraying of silicon spray into the gear box through the winder hole will assist operation and prolong the life of the winder unit.
- If you have purchased a protective cover bag it is advisable to use it if the umbrella is not to be used for some time. The umbrella must be dry before being packed in a cover bag.
- Inspect the installation fitting/ base on a regular basis and tighten as necessary.
- Periodically check all the connecting brackets and joints of the umbrella to ensure that all bolts/ fittings are tight and secure. Tighten any bolts as required.

Care and Cleaning of Acrylic fabric:

- Proper care and clearing should be taken to ensure the life of outdoor fabric. For regular care and maintenance, excessive dirt should be brushed from the fabric using a soft brush; the fabric should be then sprayed with water (not exceeding 100°F / 40°C) and air-dried.
- Periodically the fabric should undergo a more thorough cleaning by applying a gentle non-detergent soap using a soft bristled brush or cloth, thoroughly rinse out all soap residue with fresh water and then air-dry. Do not use solvents or abrasive detergents to wash fabric.
- It is recommended that after thorough cleaning that you apply a fabric protectant such as “303 Fabric Guard” or “Scotch Guard” to the fabric to restore the original protective water resistance coating.
- Fabric should never be stored or stowed while wet, always ensure fabric is thoroughly dried before storing for extended periods of time.
- Any early signs of mould and mildew must be removed immediately.
- For more information visit https://www.instantshadeumbrellas.com.au/files/Instant_Shade_Cleaning_Guide.pdf

TWO METHODS FOR STRAPPING

Closing the umbrella overnight:

Your umbrella is supplied with a "Halo" ring for quick and easy strapping of the umbrella

Step One: Locate the Halo components (ring tube and telescopic rod).

Step Two: Carefully bend the ring tube to form a circle, you may need a second person to help.

Step Three: Join the two ends together to form a "T" and secure with the provided screw.

Step Four: Now attach the telescopic pole to the "T" on the Halo and extend the length of the pole to reach over the umbrella.

Step Five: Use the telescopic pole to lift the Halo over the top of the umbrella and allow it to drop down where it will settle on the arms.





Closing the umbrella for long term storage:

Step One: Stand in front of the umbrella and locate the front four fabric panels.

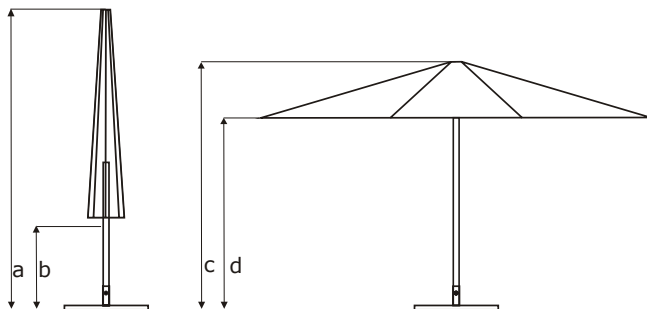
Step Two: Group the four panels and roll together towards the frame.

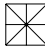




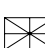
Step Three: Fold the remaining panels over the rolled panels one by one, alternating from left to right until all panels are neatly folded.

Step Four: Secure the folded panels in place with the Velcro strap by wrapping it around the umbrella tightly. The umbrella is now ready for long term storage.



NOVA HD UMBRELLA RANGE

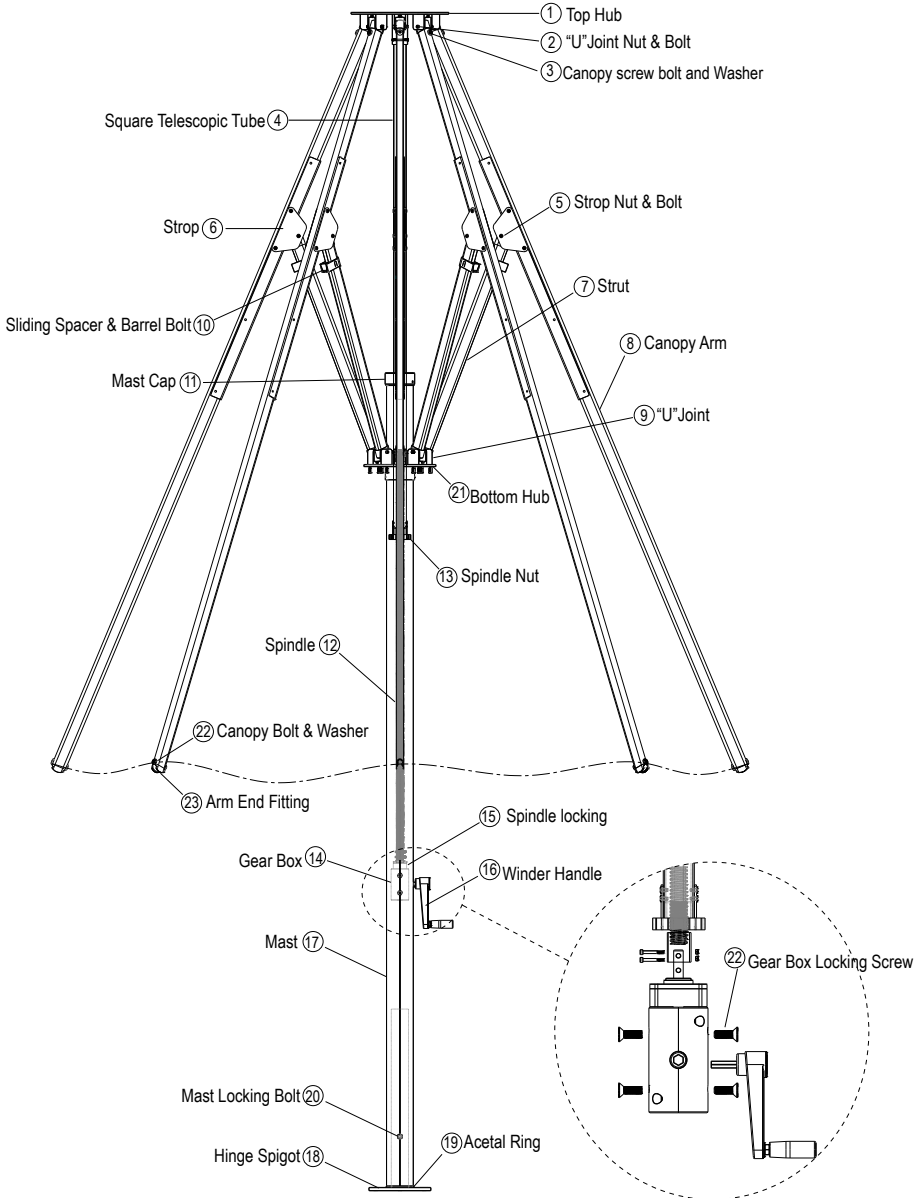


						
Frame Specifications	3m sq	4m sq	5m oct	5m sq	3.5m x 2.5m	3m x 4m
Post (outside diameter x thickness x length) (mm)	94 x 3.5 x 2712	94 x 3.5 x 2912	94 x 3.5 x 2912	94 x 3.5 x 3032	94 x 3.5 x 2912	94 x 3.5 x 2912
Long arms (mm)	25 x 50 x 2.2	25 x 50 x 2.2	25 x 50 x 2.2	25 x 50 x 2.2	25 x 50 x 2.2	25 x 50 x 2.2
Dimensions of closed umbrella						
a: Height (mm)	4005	4180	4190	4460	4320	4320
b: Closed canopy clearance (mm)	1890	1330	1700	915	1760	1830
Dimensions of open umbrella						
c: Height (mm)	2850	3080	3080	3160	3110	3060
d: Canopy edge height (mm)	2310	2320	2320	2320	2430	2330
Weight						
Umbrella (unboxed) (kg)	85	95	95	110	90	95
Packaging Dimensions						
Total Length (inc post) (mm)	4200 x 460 x 460	4400 x 460 x 460	4400 x 460 x 460	4600 x 460 x 460	4400 x 460 x 460	4400 x 460 x 460
Weight (boxed umbrella) (kg)	100	100	110	115	100	100
Wind guidance**						
Installed wind rating (km/h)	100	90	90	80	90	90

**The above wind speeds are provided as a guide only. Refer to our website and Product Owner Manual provided with the umbrella for more information. The product warranty does not cover wind damage regardless of wind speed.

*100KM wind rating applies to 3m Square size only

NOVA HD PARTS DIAGRAM





WARRANTY

Thank you for your purchase from Instant Shade Pty Ltd.

The benefits given by this warranty are in addition to all other rights and remedies in respect of the product which the purchaser has under the Trade Practices Act and similar State and Territory Laws. Nothing in this warranty will exclude, restrict or modify any conditions, warranty rights or liability implied in this purchase or protected by law where to do so would render this warranty void.

Warranty Period

- The warranty on the frame is three (3) years for residential and commercial use.
- The warranty against fading of Acrylic canvas is ten (10) years for residential use.
- The warranty against fading of Acrylic canvas is five (5) years for commercial use.
- The warranty against fading of Polyester canvas is four (4) years for residential & commercial use.
- The warranty against fading of Olefin canvas is two (2) years for residential & commercial use.
- The warranty against fading of PVC (vinyl) is three (3) years for residential & commercial use.
- The warranty against fading on Printing is one (1) year.

FRAME Warranty Conditions - PLEASE READ CAREFULLY

1. The warranty covers manufacturer's faults and defects only.
2. The frame warranty covers the umbrella frame and mechanics and internal components. It does not include accessories such as installation fittings.
3. The warranty does not cover damage caused by wind or adverse weather conditions, fair wear and tear, accidents, misuse, fire, flood, hail, earthquakes or other natural disasters, or alterations or repairs by any other than an authorised agent of Instant Shade Umbrellas.
4. The warranty for all Powder Coat finishes is one (1) year. This warranty includes peeling, flaking, bubbling and significant fading of the powder coating.
5. The warranty for all umbrella bases and installation fittings/accessories is one (1) year. This warranty covers manufacturers defects only.
6. RUST DISCLAIMER: Rust is a natural part of the ageing process for steel. Our steel products have rust inhibitors applied but may require maintenance over time. Early signs of rust should be removed and rust proofing agents such as "Gal-Spray" should be applied periodically. The anti-rust warranty for all steel components is one (1) year.
7. The umbrella must be used with a suitable base with a suitable amount of weight applied, or be correctly installed with an appropriate installation fitting. If installed, this warranty is valid only for installations made by Instant Shade Umbrellas, or an authorised agent, or if installed by the customer, the installation must be carried out exactly as required in the instructions that are supplied with the umbrella or available on our website.
8. In the case of installations, the owner is to ascertain position of all underground pipes and electrical wires and notify installer of any obstacles. Although all care will be taken, no responsibility can be accepted for any damage during installation.
9. Instant Shade Umbrellas or its authorised agent may offer advice, but accepts no responsibility as to the ultimate positioning of the umbrella.
10. For rotating umbrellas, this warranty is valid only if the revolving lock is engaged securely at all times, as shown in the operation guidelines provided.
11. The warranty is valid only if the umbrella is put up and collapsed as per the instructions in the umbrella manual.
12. If the umbrella is to be transported, it must be dismantled and adequately packaged (preferably with canopy and frame wrapped separately) to avoid damage during transit. If damage is incurred as a result of insecure packing, this is outside our warranty provision.

CANVAS Warranty Conditions - PLEASE READ CAREFULLY

1. The canvas warranty is a Limited Manufacturer's Warranty, which is passed on by Instant Shade Umbrellas.
2. The canvas warranty covers the canopy canvas only. It specifically excludes items such as thread, zips, velcro, webbing and binding used in canopy fabrication. The warranty for these items is one (1) year.
3. The canvas warranty covers fading only. This means the canvas will retain a light-fastness rating of 6-8 on a 1-8 scale (ie. No significant fading) for the duration of the warranty period. Colours utilising Red and Yellow pigment (eg. Red, Yellow, Orange, Pink, etc.) will retain a light-fastness rating of 5-7 on a 1-8 scale for the duration of the warranty period.
4. The warranty does not apply against any deterioration of any kind due to wind or weather related damage, misuse, burns, negligence, vandalism, perforations or stains due to environmental pollution, and fair wear-and-tear.
5. This canvas warranty extends specifically to the replacement of fabric only and excludes the work and installation of others and also excludes other fittings and hardware. Other costs such as re-making a canopy, dismantling, transport, re-erection, travelling costs and consequential loss are excluded from this warranty.
6. If the umbrella is to be transported, it must be dismantled and adequately packaged (preferably with canopy and frame wrapped separately) to avoid damage during transit. If canvas damage is incurred as a result of insecure packing, this is outside our warranty provision.
7. When closing the umbrella for extended periods of time, the canopy must be folded in such a way as to avoid "pinching" of the canvas in the umbrella ribs/arms. Wear and tear caused by "pinching" of the fabric by the umbrella framework is not covered under the warranty.
8. Proper care and cleaning should be taken to ensure the life of outdoor fabrics. For regular care and maintenance, excessive dirt should be brushed from the fabric using a soft brush; the fabric should then be sprayed with warm water (not exceeding 100°F / 40°C) and air-dried. Periodically the fabric should undergo a more thorough cleaning. Again, brush fabric with a soft bristled brush, spray with warm water then apply a gentle natural soap, rinse thoroughly and air-dry.
9. The canvas should never be stored or stowed while wet, always ensure fabric is thoroughly dried before storing for extended periods.
10. Any early signs of mould and mildew must be removed immediately.

General Warranty Conditions - PLEASE READ CAREFULLY

1. The warranty applies to the original purchaser only. Proof of purchase must be provided.
2. In the case of repairs to the umbrella being required (regardless of whether the repairs are covered under warranty) the warranty covers the provision of replacement parts only. The cost of labour to install the replacement parts, or transportation to/from Instant Shade Umbrellas for any repairs is to be paid by the claimant.
3. This warranty is the only express warranty given by Instant Shade Umbrellas. No person has the authority to change or add to these obligations and liabilities without Instant Shade Umbrellas approval in writing.
4. Instant Shade Umbrellas reserves the right to determine whether or not fault is caused by faulty workmanship or material or that any part is defective, and should a warrantable fault be determined, will refinish, repair or replace any part or product at its own discretion.



INSTANT SHADE
UMBRELLAS

Instant Shade Pty Ltd

info@instantshade.com.au

www.instantshadeumbrellas.com.au