

Paraflex

Unique Wall Mounted Umbrella

Create the shade where you want, independent of the sun's position

- The only umbrella designed specifically for wall-mounting
- Easy to open and close
- Removable in seconds with easy "lift-lock" bracket
- Ultra light aluminium frame
- Post mounting options also available
- Install 1, 2 or 5 canopies on one central post



50 km/h
Wind Rating



The unique Paraflex wall mount system removes the need for a heavy base and central pole, and is perfect for 'tight' areas. The flexible arms and tilting canopy allow you to create the shade where you want, independent of the sun's position. Paraflex has a modern design and is very easy to use.

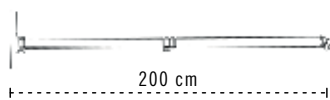
Umbrella Open



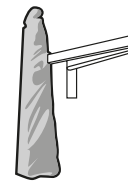
Umbrella Closed



Evolution Arm



Protective Cover



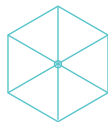
Dimensions



1.9m Sq



2.7m Hex



3m Hex

Standard Colours



Black



Smoked
Tweed



Slate



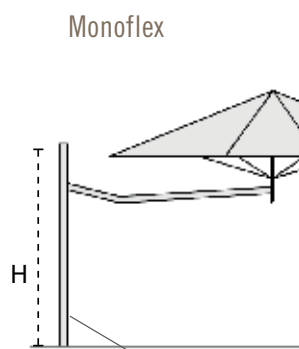
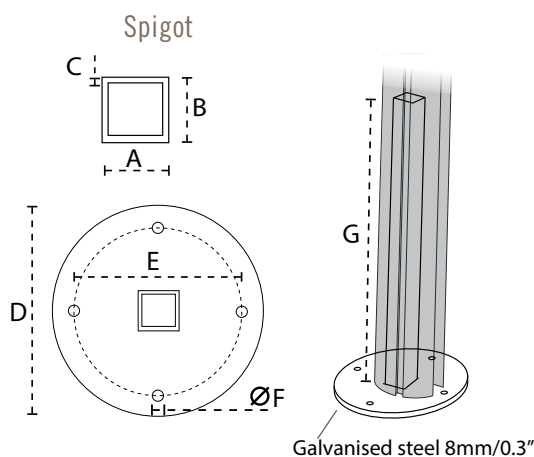
Natural

Canopies are made of water repellent and UV-resistant 100% Solution Dyed Olefin Canvas (2 year warranty against fading).

Premium 100% Solution Dyed Acrylic Canvas (5 year warranty against fading) also available, surcharge applies.

*Fabric colours may vary slightly from printed swatches shown above.

Pole Mounting Options



Extruded Aluminium Alloy 6060, naturally anodised

	A	B	C	D	E	F	G	H	I
	mm/inch	mm/inch	mm/inch	mm/inch	mm/inch	mm/inch	mm/inch	cm/ft	cm/ft
Spigot Dimensions	40/1.6"	40/1.6"	3/0.12"	215/8.5"	170/6.7"	11/0.43"	490/19"	205/6'9" or 215/7'	230/7'6"

