

# ECLIPSE V2

OWNERS MANUAL



INSTANT SHADE  
UMBRELLAS

## Eclipse cantilever umbrella

Congratulations on purchasing your Eclipse cantilever umbrella. The Eclipse is manufactured using the best materials and fabrics, which are designed to give you many years of use and enjoyment. The following information is provided to advise you on how to correctly operate your Eclipse umbrella to ensure trouble-free use and ease of operation.

Please follow these instructions as they are designed to assist you in operating the umbrella, and to prolong the life of the various parts.

### General information

Your Eclipse Umbrella is principally intended for use in low to moderate wind conditions which will provide you with many hours of protection from the sun and light rain. You will get maximum benefit from your umbrella when you use it in accordance with our instructions and in the weather conditions for which it is designed.

- Do not leave umbrella open when unattended, particularly in windy conditions.
- The umbrella should be securely strapped when closed, especially in strong winds and adverse weather conditions.
- Any modifications to your umbrella, except those made by Instant Shade Umbrellas, may invalidate the warranty.
- The umbrella should be clean and dry prior to storing away for extended periods of time. This will prevent mould from developing.
- Inspect the installation fitting / base periodically and tighten if required.

Simple maintenance instructions:

- (1) If you have a cover bag, we recommend you use it whenever the umbrella is closed. This will greatly extend the life of the canopy.
- (2) In coastal or metropolitan environments it is beneficial to periodically wash your umbrella using fresh water from a hose. This includes the canopy and frame.
- (3) Should the 16 rotating-mechanism stop-pin holes become filled with sand or dust etc., remove the umbrella from its spigot and remove the spigot from the umbrella base plate. Clean out the 16 rotating-mechanism stop-pin holes and apply some grease or lubricant to the spigot shaft. This will be a two man job.
- (4) When the umbrella is closed for extended periods of time, it is best to fold the acrylic canvas canopy as shown in “To close Eclipse umbrella (pg7)”. This will prolong the new look of the canvas, preventing marking caused by “pinching” in the aluminium frame.

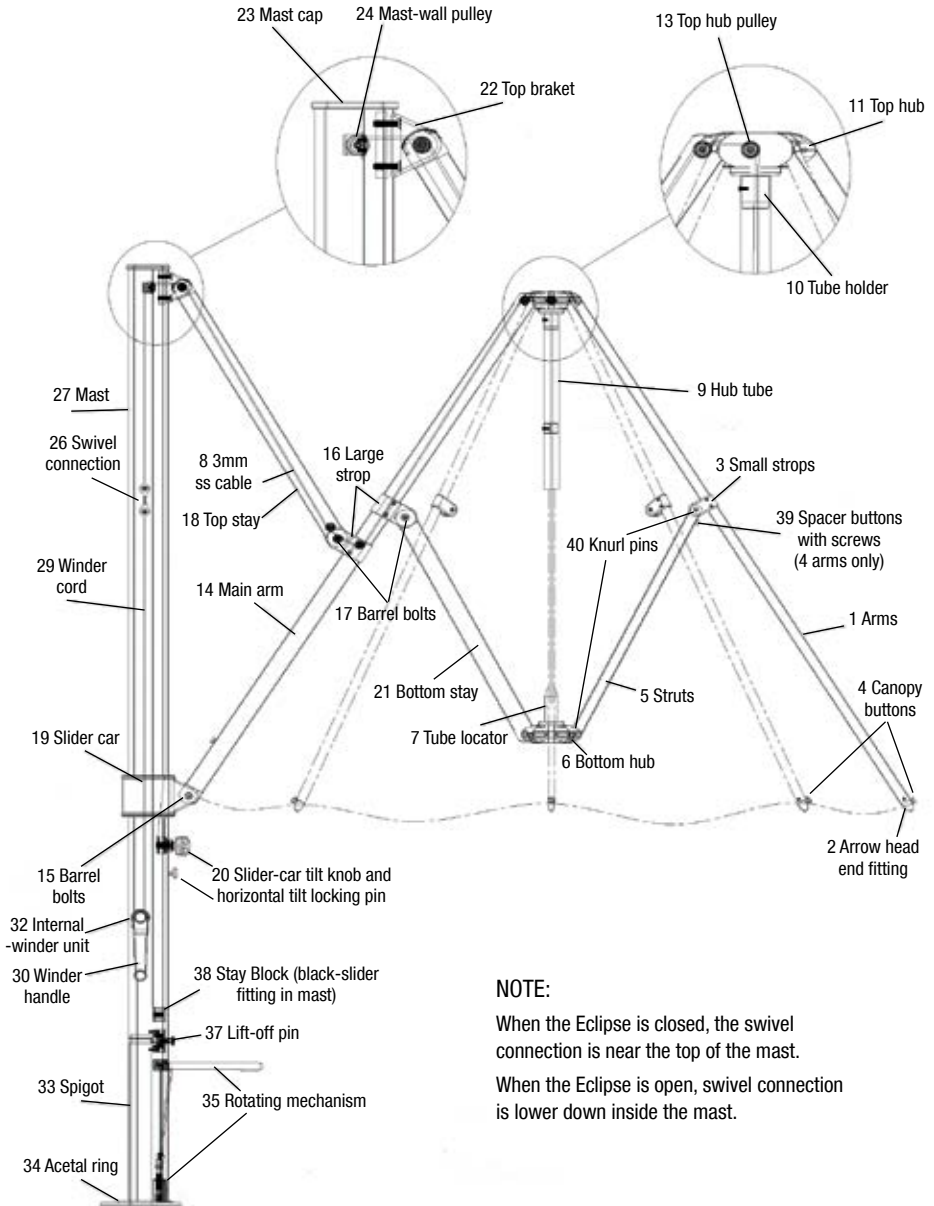
## Care & cleaning of acrylic canvas fabric

- Proper care and cleaning should be taken to ensure the life of outdoor fabrics. For regular care and maintenance, excessive dirt should be brushed from the fabric using a soft brush; the fabric should then be sprayed with water (i.e. garden hose) and air-dried. Periodically, the fabric should undergo a more thorough cleaning, again, brush fabric with a soft bristled brush, spray with water (not exceeding 100°F / 40°C), apply a gentle natural soap, (i.e. Morning Fresh), rinse thoroughly and air-dry.
- Fabric should never be stored while wet, always ensure fabric is thoroughly dried before storing for extended periods.
- Any early signs of mould and mildew must be removed immediately.
- For more information about how to clean your acrylic canvas fabric please visit: [www.sunbrella.com/en-us/how-to-clean](http://www.sunbrella.com/en-us/how-to-clean)



# ECLIPSE V2

## Eclipse parts identification



**NOTE:**

When the Eclipse is closed, the swivel connection is near the top of the mast.

When the Eclipse is open, swivel connection is lower down inside the mast.



---

## Eclipse parts identification

- 1 Arms
- 2 Small end fittings for canopy screw
- 3 Small strops (knurl pin not included)
- 4 Canopy buttons
- 5 Struts
- 6 Bottom hub
- 7 Tube locator
- 8 3mm stainless-steel cable
- 9 Hub tube
- 10 Tube holder
- 11 Top hub
- 13 Top hub pulley
- 14 Main arm
- 16 Large strop (aluminium)
- 17 Barrel bolts
- 18 Top stay
- 19 Slider car
- 20 Slider-car tilt knob and horizontal tilt locking pin
- 21 Bottom stay
- 22 Top bracket
- 23 Mast cap
- 24 Mast-wall pulley
- 26 Swivel connection
- 27 Mast
- 29 Winder cord
- 30 Winder handle
- 32 Internal-winder unit (including rope)
- 33 Spigot
- 34 Acetal ring
- 35 Rotating mechanism (completed set)
- 37 Lift-off pin
- 38 Stay Block (black-slider fitting in mast)
- 39 Spacer buttons with screws (4 arms only)
- 40 Knurl pin

# ECLIPSE V2

## To open the Eclipse umbrella

- 1 Remove the strap from the canopy.
- 2 Gently spread the canopy arms open (refer Figure A).
- 3 Ensure the slider-car knob is loose and slider-car can move freely (refer Figure B). Insert the winder handle (30) into the hole on the side of the mast and rotate in a clockwise direction.
- 4 Continue winding until the canopy is fully open and the edge of the canopy is tight (refer Figure C).

**Note:** The winder handle will become a little harder to wind as the umbrella nears fully open.

- 5 Once the canopy is fully opened, hold the slider-car knob (20) and push the slider-car up until the canopy is at the desired tilt angle. Tighten slider-car knob (20) clockwise to secure the umbrella at that angle.

**IMPORTANT:** The slider-car knob (20) must be done up tightly, especially when used in high winds.

- 6 When the slider-car is pushed up to the highest point, the locking pin (20) will automatically engage, locking the canopy in the horizontal position. The optimum strength of the umbrella is reached only when the canopy is in the horizontal position, with the slider-car at its maximum height and the locking pin (20) engaged.

- 7 The tilt angle of the canopy can be adjusted as required at any time by loosening the slider-car knob (20), pulling the locking pin outward and sliding the slider-car up and down the mast.

**Note:** The locking pin will only engage at the horizontal level.



**Figure A**  
Gently spread the canopy arms open



**Figure B**  
Ensure tilt knob is loose (turn anti-clockwise) when opening and closing umbrella



**Figure C**  
Edge of canopy should be tight



## To close the Eclipse umbrella

- 1 Rotate the winder handle (30) in an anti-clockwise direction. The canopy will begin to collapse. Continue winding in an anti-clockwise direction until the canopy is mostly closed and the canopy arms are pointing almost vertically to the ground.
- 2 Turn the slider-car tilt knob (20) anti-clockwise until loose, hold the slider-car tilt knob and pull the slider car down the mast towards the ground. If the canopy is in the horizontal position, pull the locking pin out first.
- 3 Fold the canopy neatly when storing for extended periods of time to reduce the risk of damage to the canopy caused by constant rubbing against the umbrella frame. To do this, stand in front of the canopy and take hold of the front two panels, pull them away from the umbrella towards your body and roll them together back towards the umbrella frame. Hold the rolled panels with one hand, while grabbing a third panel, tightly folding it over the roll to hold it in place, alternate folding over the remaining five panels from left to right.
- 4 Secure the folded panels in place with the canopy strap, wrapping it firmly around the mast and canopy. Gently push the folded canopy back against the mast so that it is compact. **IMPORTANT:** When the umbrella is closed it should always be firmly strapped.
- 5 **FITTING THE OPTIONAL COVERBAG:** Stand in front of the folded canopy and open the coverbag zip completely. Use the handle rod to lift the coverbag behind the mast and up as high as possible to clear the top of the umbrella. Pull the coverbag down over the top of the mast and canopy. Zip the coverbag closed. The zip should be on the front side of the canopy, not at the back of the mast.



**Figure A**

Ensure tilt knob is loose (turn anticlockwise) when closing umbrella.



**Figure B**

Closing down and applying the optional coverbag

## To rotate the Eclipse umbrella

There are 16 rotational-locking holes in the spigot. These location holes are found at every 22.5 degree interval around the spigot plate. They are located where indicated on the top of the spigot base and are under the nylon indexing shield (34) which acts as a dust cover for the holes not in use.

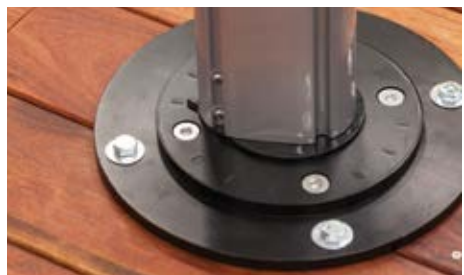
- 1 Pull the rotation lift handle (35) out from the mast cavity (refer Figure A).
- 2 Lift up on the handle and feel the resistance from the spring that houses the rotating lock pin. **WARNING: In lifting this handle you are not attempting to lift the whole umbrella, rather just the spring on the rotating lock pin that locates the rotation lock pin.**
- 3 By using the rotating-lift handle (35) as a lever, you can rotate the umbrella on the base (refer Figure B) until you arrive at the new desired position.
- 4 Each position is marked by a notch on the spigot plate. Align the indicator arrow with a notch (refer Figure C). Once aligned with a notch, lower the rotating handle to engage the rotating-lock pin. **WARNING: Do not force the rotating handle down if the indicator arrow is between notch positions. The rotating handle should close easily. If any resistance is encountered do not force it, rotate the umbrella further until the pin engages in a locking hole.**



**Figure A**  
Lift rotation handle



**Figure B**  
Rotate the umbrella by using the handle



**Figure C**  
Align the indicator arrow with a notch



## To use your (optional) stabiliser bars kit

Your Eclipse cantilever umbrella can be fitted with an optional “stay kit” to assist its performance in a wider range of wind conditions.

**Note:** *The Eclipse umbrella does not need to be fitted with the stay kit for normal operation in calm to moderate wind conditions. However for higher wind environments or for commercial applications it is advisable to fit the stay kit to add stability to the umbrella.*

### To install stay kit:

- 1** Slide the stabiliser arm block (38) up the internal mast housing to a height roughly the same as the height of the stabiliser bars when standing vertical (refer Figure A).
- 2** Attach the threaded stainless screw (with the two aluminium stays attached) to the stay block in the mast and tighten the screw sufficiently for the stay block to remain in position without sliding down the mast (refer Figure B).
- 3** Swing either aluminium-stay arm off the ground and attach to the umbrella arms (refer Figure C) using the black ‘screw in’ fittings.
- 4** You may need to loosen the locking knob (refer Figure B) and adjust up or down the mast for the stabiliser arms to reach the correct position on the arms (refer Figure C). Once both stabiliser arms have been attached, tighten the central threaded-locking knob to lock in position (refer Figure C - stay kit correctly fitted).

**CAUTION:** Do not over tension as this may distort the umbrella arms. Reverse the process to remove the stay kit. The stay kit must be removed to close the umbrella or tilt the canopy. **IMPORTANT:** Your Eclipse umbrella, even when fitted with the stay kit, is not a permanent, all-weather structure. The umbrella should be closed and folded when not in use and never left open when unattended or in strong winds.



**Figure A**  
Slide stay block up mast



**Figure B**  
Screw stays into stay block



**Figure C**  
Umbrella with stays attached

# ECLIPSE V2

---

## Installation procedure

Your Eclipse umbrella comes fully assembled in the box that it is delivered in. There are three different ways to install your Eclipse umbrella:

- 1 Installing on a timber deck using a base plate.**
- 2 Installing on an existing concrete slab using a base plate.**
- 3 Installing into the ground (ie into a lawn, garden or paved patio) using an in-ground fitting.**

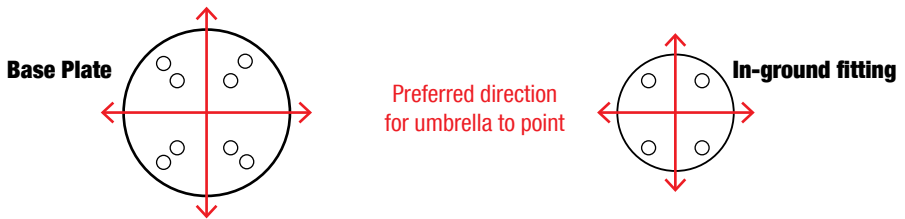
Prior to installing your installation fittings please read the important information below.

### Correct alignment of installation fittings

Your Eclipse umbrella can rotate 360 degrees and be locked in 16 different locations. This means that every 22.5 degrees of rotation there is provision to lock the umbrella. In most situations there will be a preferred area over which you will predominantly want shade. To ensure you have the ability to shade your preferred location you must have one of the 22.5 degree rotation locking holes in line with this position. Please have a look at the underside of your spigot to see these 16 locking holes.

There is a locking hole in line with each of the 4 spigot bolt holes in the spigot plate. There are also three intermediate holes between each of the spigot bolt holes and these are marked with an indicator mark on the top of the spigot plate.

To point your umbrella in the perfect direction or to have a symmetrical installation (especially when installing square umbrellas) it is very important to make sure you install the base plate or in-ground fitting square to the direction that you predominantly want the umbrella to point.



### Installing your base plate or in-ground fitting

There are three different ways to install your Eclipse umbrella. Select the installation method from the following pages for the relevant instructions.

## 1. Installing on a timber deck using a base plate:

To install your Eclipse umbrella onto a timber deck the following instructions should be followed.

To install an Eclipse onto a timber deck you will need a base plate, deck bolts, a decent drill, timber (to make a reinforcing “nog”) and suitable fixings to secure the nog to the deck joists.

Your umbrella must be bolted down into a reinforced “nog” that is fixed under the deck planks to the deck joist. The umbrella must not only be fixed to the deck planking as this will likely result in the deck planks “pulling up” and the umbrella falling over in high winds.

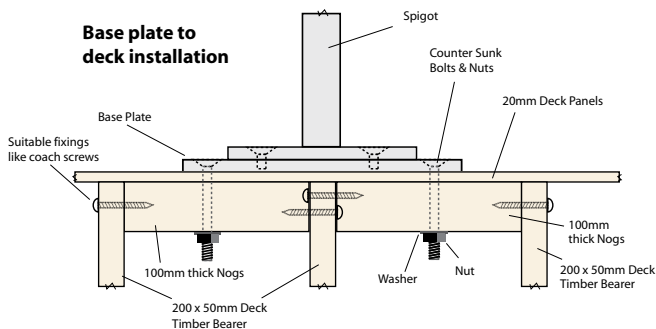
Once you have decided on the location of the umbrella/base plate (**IMPORTANT: Please ensure you have first read “correct alignment of installation fittings” on page 10**) then use the 4 x outer holes in the base plate as a template to start drilling each of the holes in the deck. Make sure each of the 4 x holes go through decking and miss the joists.

Using the 4 x holes drilled in the deck as a guide, you now need to install a reinforcing nog/brace hard up under the decking for the base plate bolts to be fixed into. It is recommended that two timber “nogs” or “braces” be secured between the deck joists or bearers that form the structural frame of the deck. Ideally the nog/brace should be two lengths of 200 x 100mm timber posts side by side, or alternatively four pieces of 200 x 50mm timber joists sandwiched together to form a 400mm wide x 100mm thick nog/brace for the umbrella base plate to bolt through. The nog/brace must then be securely fixed to the deck frame/joists using suitable fixings. These may be large galvanised nails, coach screws or builders brackets etc. If the installation is in a sea spray zone or coastal environment then stainless steel fixings should be used.

You can now use the 4 x holes already drilled in your decking and drill them all the way through the newly installed nog/brace under the decking. Put the base plate in place and install 4 x 10x150mm stainless steel bolts through the plate, decking and nog. Put the washer and nut on the bolt under the deck and wind on the nut until very tight.

After the base plate has been securely fixed to the deck you should now remove the 4 x “grub bolts” that are installed in the 4 x spigot-bolt holes. The purpose of these grub bolts is to keep dirt out of the threaded holes when not in use. Lift the Eclipse umbrella and spigot on top of the base plate. It will take two people to complete this. One person can hold the umbrella in the upright position while the second person finds and locates the 4 x holes for the spigot bolts. Screw in all 4 x spigot bolts loosely by hand. Once all 4 x spigot bolts are in, you can use the supplied allen key to do them up tightly.

Now you can carefully open your umbrella for the first time.



## 2. Installing on an existing concrete slab using a base plate:

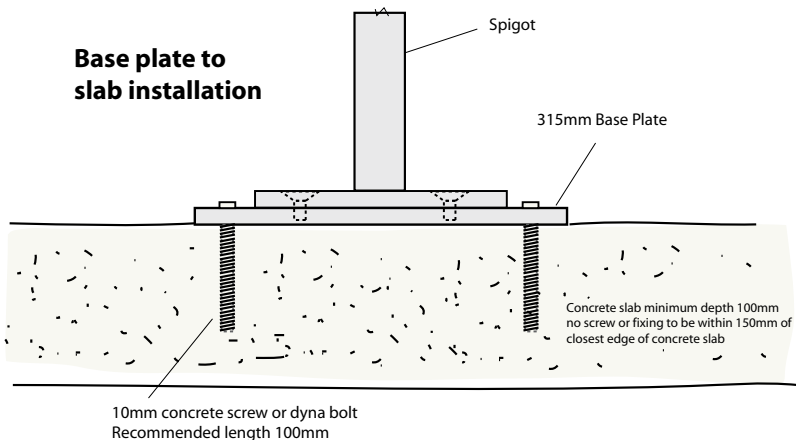
To install an Eclipse onto an existing concrete slab you will need a base plate, suitable concrete bolts, a drill with masonry drill bits, a socket set and a level. You will also need the concrete to be at least 100mm deep.

Once you have decided on the location of the umbrella/base plate (**IMPORTANT: Please ensure you have first read “correct alignment of installation fittings” on page 10**) use the 4 x outer holes in the base plate as a template to start drilling each of the holes in the concrete. Drill each of the four holes using a hammer drill with an 10mm masonry drill bit down to a depth of about 110mm. This allows space for the 100mm bolt if dust falls to the bottom of the hole.

Once all 4 x holes have been drilled, place the base plate over the holes ready to put the bolts in, then use a level to ensure the base plate is as level as possible. Use galvanised or stainless-steel washers to pack up the base plate until it's level. Then use a socket set or spanner to wind in the four 10mm x 100mm concrete screws through the base plate and washers until they are fully wound in and very tightly holding the base plate.

After the base plate has been securely fixed to the concrete, remove the 4 x “grub bolts” that are installed in the 4 x spigot-bolt holes. The purpose of these grub bolts is to keep dirt out of the threaded holes when not in use. Lift the Eclipse umbrella and spigot onto the base plate. It will take two people to complete this. One person can hold the umbrella in the upright position, while the second person finds and locates the 4 x holes for the spigot bolts. Screw in all 4 x spigot bolts loosely by hand. Once all 4 x spigot bolts are in, you can use the supplied allen key to do them up tightly.

Now you can carefully open your umbrella for the first time. Partially open the umbrella and remove any protective packaging under the canopy. Once the packaging is removed then your Eclipse umbrella is fully installed and ready to use. Sit back, relax and enjoy!



### 3. Installing into the ground using an in-ground fitting:

When installation is required in-ground (into soil or sand etc.), an in-ground fitting must be used. This is a Galvanised-steel fitting which must be concreted into position.

Once you have decided on the location of the umbrella/in-ground fitting (**IMPORTANT: Please ensure you have first read “correct alignment of installation fittings” on page 10**) you will need to dig a hole in that location for a concrete footing to be installed.

Where terrain differs from thick clay to sand or fine soil then a different sized footing hole must be prepared and a different volume of concrete used. As a guide only; a hole 40cm wide by 70cm deep is recommended for heavy clay terrain. If installing the fitting into topsoil or sand, you will need a larger hole and more concrete. We would recommend doubling the volume of the hole, however, it's best that you seek appropriate advice from a builder for your specific circumstances.

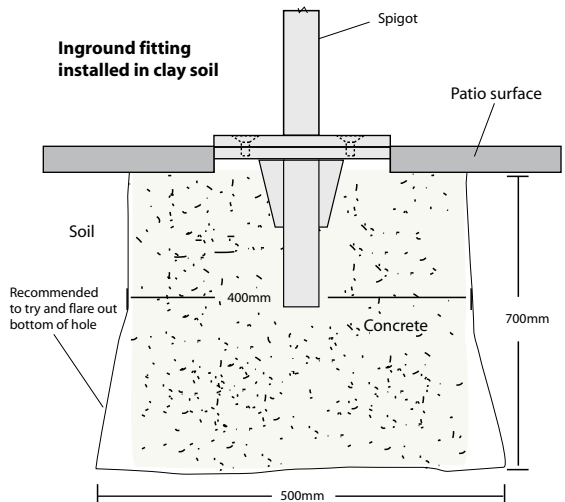
Before you get started with the concrete, we recommend that you ensure the small “grub bolts” are installed into the 4 x spigot-bolt holes in the in-ground fitting. You can also put tape over the top and bottom of the 4 x holes to ensure that no concrete slurry gets into the threaded holes.

When pouring the concrete, it is advisable to insert a few lengths of reinforcing steel into the concrete to prevent any possibility of cracking in the future. Remember the depth of hole is more important than width, and it is much easier to make the hole large at the time of installation than to try and re-stabilise the in-ground fitting should it start to move at a later date.

If installing into a paved patio, you may need to remove some pavers/tiles to facilitate the in-ground fitting and have them cut and reinstalled back around the circular in-ground fitting plate to give a tidy, flush installation.

When setting the in-ground fitting into concrete, the top surface of the fitting should be at the same level as your patio surface, so that if the umbrella is removed or relocated, then the face of the fitting is flush. Also, it's very important that the in-ground-fitting plate is level.

After the in-ground fitting has been installed and the correct amount of time has passed for the concrete to harden and “cure”, you can finally stand up your Eclipse umbrella on the fitting. Firstly, you will need to remove the 4 x “grub bolts” that are installed in the 4 x spigot-bolt holes in the in-ground fitting. Lift the Eclipse umbrella and spigot on top of the fitting. It will take two people to complete this. One person can hold the umbrella in the upright position while the second person finds and locates the 4 x holes for the spigot bolts. Screw in all 4 x spigot bolts loosely by hand. Once all 4 x spigot bolts are in then you can use the supplied allen key to do them up tightly. Now you can carefully open your umbrella for the first time.



## Warranty

### Thank you for your purchase from Instant Shade Umbrellas

The Eclipse umbrella comes with the following warranties:

- Three year warranty on the umbrella frame for residential and commercial use.
- Ten year warranty against fading of the acrylic canvas for residential use.
- Five year warranty against fading of the acrylic canvas for commercial use.

### FRAME Warranty Conditions

1. The warranty covers manufacturer's faults and defects only.
2. The frame warranty covers the umbrella frame and mechanics and internal components. It does not include accessories such as installation fittings.
3. The warranty does not cover damage caused by wind or adverse weather conditions, fair wear and tear, accidents, misuse, fire, flood, hail, earthquakes or other natural disasters, or alterations or repairs by any other than an authorised agent of Instant Shade Umbrellas.
4. The warranty for all Powder Coat finishes is one (1) year. This warranty includes peeling, flaking, bubbling and significant fading of the powder coating.
5. The warranty for all umbrella bases and installation fittings/accessories is one (1) year. This warranty covers manufacturers defects only.
6. RUST DISCLAIMER: Rust is a natural part of the ageing process for steel. Our steel products have rust inhibitors applied but may require maintenance over time. Early signs of rust should be removed and rust proofing agents such as "Gal-Spray" should be applied periodically. The anti-rust warranty for all steel components is one (1) year.
7. The umbrella must be used with a suitable base with a suitable amount of weight applied, or be correctly installed with an appropriate installation fitting. If installed, this warranty is valid only for installations made by Instant Shade Umbrellas, or an authorised agent, or if installed by the customer, the installation must be carried out exactly as required in the instructions that are supplied with the umbrella or available on our website.
8. In the case of installations, the owner is to ascertain position of all underground pipes and electrical wires and notify installer of any obstacles. Although all care will be taken, no responsibility can be accepted for any damage during installation.
9. Instant Shade Umbrellas or its authorised agent may offer advice, but accepts no responsibility as to the ultimate positioning of the umbrella.
10. For rotating umbrellas, this warranty is valid only if the revolving lock is engaged securely at all times, as shown in the operation guidelines provided.
11. The warranty is valid only if the umbrella is put up and collapsed as per the instructions in the umbrella manual.
12. If the umbrella is to be transported, it must be dismantled and adequately packaged (preferably with canopy and frame wrapped separately) to avoid damage during transit. If damage is incurred as a result of insecure packing, this is outside our warranty provision.

### **CANVAS Warranty Conditions**

1. The canvas warranty is a Limited Manufacturers Warranty, which is passed on by Instant Shade Umbrellas.
2. The canvas warranty covers the canopy canvas only. It specifically excludes items such as thread, zips, velcro, webbing and binding used in canopy fabrication. The warranty for these items is one (1) year.
3. The canvas warranty covers fading only. This means the canvas will retain a light-fastness rating of 6-8 on a 1-8 scale (ie. no significant fading) for the duration of the warranty period. Colours utilising Red and Yellow pigment (eg. Red, Yellow, Orange, Pink, etc.) will retain a light-fastness rating of 5-7 on a 1-8 scale for the duration of the warranty period.
4. The warranty does not apply against any deterioration of any kind due to wind or weather related damage, misuse, burns, negligence, vandalism, perforations or stains due to environmental pollution, and fair wear-and-tear.
5. This canvas warranty extends specifically to the replacement of fabric only and excludes the work and installation of others and also excludes other fittings and hardware. Other costs such as re-making a canopy, dismantling, transport, re-erection, travelling costs and consequential loss are excluded from this warranty.
6. If the umbrella is to be transported, it must be dismantled and adequately packaged (preferably with canopy and frame wrapped separately) to avoid damage during transit. If canvas damage is incurred as a result of insecure packing, this is outside our warranty provision.
7. When closing the umbrella for extended periods of time, the canopy must be folded in such a way as to avoid “pinching” of the canvas in the umbrella ribs/arms. Wear and tear caused by “pinching” of the fabric by the umbrella framework is not covered under the warranty.
8. Proper care and cleaning should be taken to ensure the life of outdoor fabrics. For regular care and maintenance, excessive dirt should be brushed from the fabric using a soft brush; the fabric should then be sprayed with warm water (not exceeding 100°F / 40°C) and air-dried. Periodically the fabric should undergo a more thorough cleaning. Again brush fabric with a soft bristled brush, spray with warm water then apply a gentle natural soap, rinse thoroughly and air-dry.
9. The canvas should never be stored or stowed while wet, always ensure fabric is thoroughly dried before storing for extended periods.
10. Any early signs of mould and mildew must be removed immediately.

### **General Warranty Conditions – PLEASE READ CAREFULLY**

1. The warranty applies to the original purchaser only. Proof of purchase must be provided.
2. In the case of repairs to the umbrella being required (regardless of whether the repairs are covered under warranty) the warranty covers the provision of replacement parts only. The cost of labour to install the replacement parts, or transportation to/from Instant Shade Umbrellas for any repairs is to be paid by the claimant.
3. This warranty is the only express warranty given by Instant Shade Umbrellas. No person has the authority to change or add to these obligations and liabilities without Instant Shade Umbrellas approval in writing.
4. Instant Shade Umbrellas reserves the right to determine whether or not fault is caused by faulty workmanship or material or that any part is defective, and should a warrantable fault be determined, will refinish, repair or replace any part or product at its own discretion.

