

Eclipse[®] 2.0

Heavy Duty Cantilever Umbrella

- Commercial grade quality for your home
- Full 360° rotation to maximise shade coverage
- Unlimited tilt positions to block out low afternoon sun
- Marine-grade materials
- Heavy duty construction can stay outside all year round
- Easy installation options
- Can be braced with (optional) stabiliser bars for additional wind stability
- Engineer wind rated and Australian Certificate of Compliance Design
- Australia's Best Umbrella Warranty

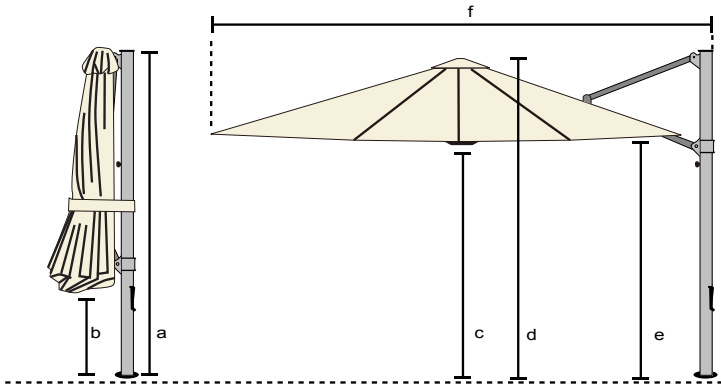


65 km/h
Wind Rating



The Eclipse[®] 2.0

Australia's Best Cantilever Umbrella



Dimensions

*All measurements are rounded and are subject to change.

Dimensions of closed umbrella

	3m sq	4m oct	3.5m sq
a: Mast height (cm)	283	283	283
b: Distance from arms to ground (cm)	68	80	35
Weight of umbrella when folded (kg)	35	37	37

Dimensions of open umbrella

c: Height to canopy hub (cm)	205	207	212
e: Height to edge of canopy (cm)	210	210	210
d: Total height to top of canopy (cm)	283	275	289
f: Distance from back of mast to front edge of canopy (cm)	329	405	375
Width of canopy (cm)	300	400	350

Packaging dimensions

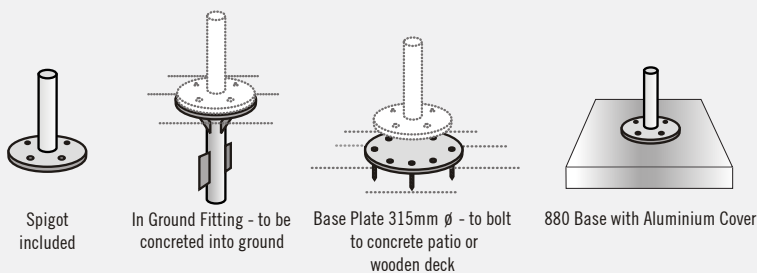
Dimensions of cardboard packaging (cm)	295x51x30	295x51x30	295x51x30
Weight of umbrella when packaged in carton with spigot (kg)	49	51	51

Wind guidance*

Installed wind rating (km/h)	65	65	50
Freestanding base rating (km/h)	30	30	20

*The above wind speeds are provided as a guide only. Refer to our website and Product Owner Manual provided with the umbrella for more information. The product warranty does not cover wind damage regardless of wind speed.

Base and Installation Options



Standard Colours

Canopies are made of Premium 100% Solution Dyed Acrylic Canvas with a 10 year warranty against fading.**



Black

Smoked
Tweed

Slate

Natural

Fabric colours may vary slightly from printed swatches shown above. Other colours available to order, surcharge may apply.

**10 year warranty is for residential use and relates to fading of the colour only

Frames

Frames are made of Marine Grade Anodised Aluminium with a 3 year warranty against mechanical defects.



HEAVY DUTY EXTRUDED
ALUMINIUM MAST



INFINITY TILT SYSTEM



SILENT CRANKING SYSTEM



EXTRUDED ALUMINIUM JOINTS

Available Australia Wide
Check our website for a dealer near you
www.instantshadeumbrellas.com.au



INSTANT SHADE
UMBRELLAS