

A. SPIGOT

INCLUDED WITH UMBRELLA
CAN BE BOLTED DIRECTLY
TO CONCRETE SLAB OR
WOODEN DECK

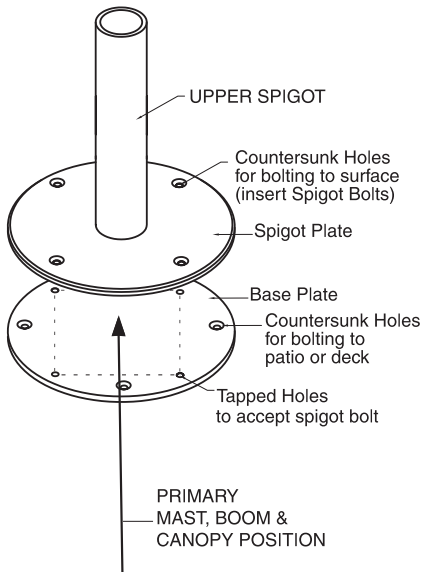
B. BASE PLATE

OPTIONAL ACCESSORY
CAN BE BOLTED DIRECTLY
TO CONCRETE SLAB OR
WOODEN DECK

C. IN-GROUND FITTING

OPTIONAL ACCESSORY
CAN BE INSTALLED
IN-GROUND IN
CONCRETE FOOTING

B. BASE PLATE INSTALLATION:



CONCRETE SLAB should be at least 100mm thick, preferably 150mm thick.

On WOODEN DECKS, all bolts must secure to bearers / joists.

Use 4 x COUNTER-SUNK bolts (NOT INCLUDED).

Use min. 10mm x 95mm or 10mm x 125mm bolts (or longer if possible).

C. IN-GROUND INSTALLATION:

