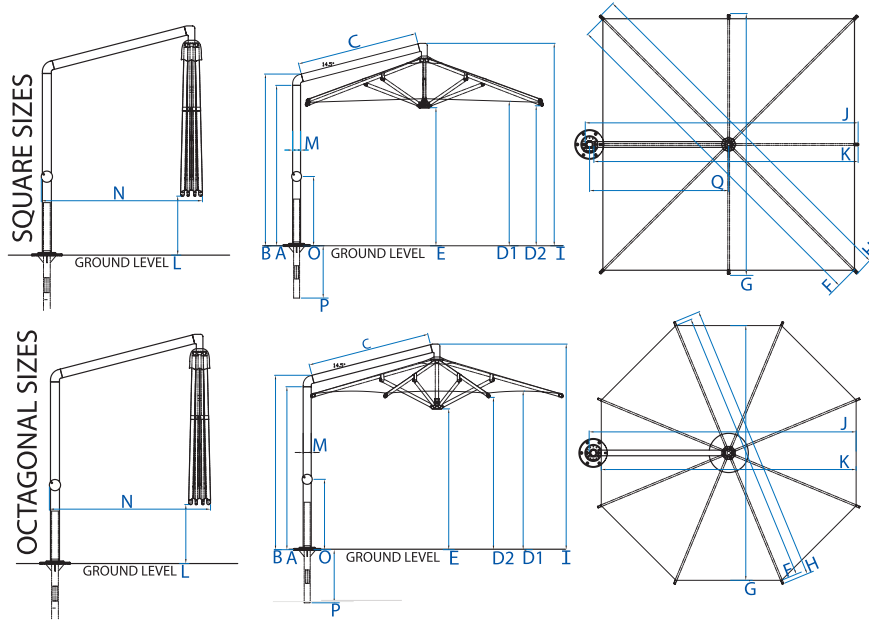


LIBERTY Side-Post Umbrella



Liberty Specifications		3.5 Oct	3.0 Squ	4.0 Oct
A	Mast height [aluminum only]	2.320	2.420	2.420
B	Mast height including elbow	2.420	2.520	2.520
C	Boom length [aluminum only]	1.690	1.600	1.889
D1	Canopy above ground	2.030	2.220	2.200
D2	Arms above ground	2.180	2.115	2.170
E	Hub above ground Same length mast as 2.4	2.130	2.060	2.140
F	Canopy diameter	3.500	4.400	4.000
G	Flat edge to flat edge of canopy	3.220	2.930	3.620
H	Tip to tip diameter when measured across	3.360	4.450	4.030
I	Total overall height [top of headfitting]	2.875	2.850	3.020
J	Outside mast to outside opposite edge	3.350	3.140	3.700
K	Inside mast to outside opposite canopy edge	3.240	3.030	3.589
L	Height of arms off ground when folded down	0.945	0.425	0.770
M	Mast dimensions [oval]	110x65	110x65	110x65
N	Outside of mast to outside of arms when folded down	2.120	1.755	2.270
O	Center of winchbox [winder] above spigot plate	0.950	0.950	0.950
P	Height of inground shaft [pole]	0.490	0.490	0.490
Q	Centre of l/g fitting to centre of hub	1.745	1.645	1.930
* All Dimensions may vary +/- 3%				